

GEORDI PRODUCT INDEX

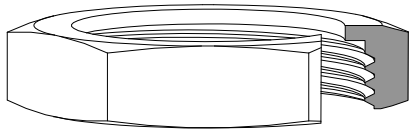
ITEM	PAGE	DISC
3A Fittings	11	
Adaptors BSM/BSP	6	
Adjustable Feet	48	
Air Bleed Valves	50	
Angle	55	NETT
Angle Rings – Tube	16	
Australian CIP Seals	2	
Ball Valves	39,40	
Bar - Solid	56	NETT
Bends – Tube	13,14	
BSM Fittings	1,2,3,4,5	
BSM Fittings (2205)	3	
BSP Fittings	26,27,28,28a	
BSP Y Strainer	34	
Butterfly Valves		
-Geordi	45	
-Sudmo	44	
-Seals	46	
Butt Hinges	48	
Camlock Fittings	21-22	
Caps – Pipe	30	
Caps – Tube	16	
Ceiling Plate	16	
Chain	48	
Clamps (Tube & Pipe)	18	
Cleaning Chemicals	57	
Cut Discs - 316	49	
Diaphragms	41	
Diaphragm Valves	41	
DIN Fittings	10	
Duplex Strainer	34	POA
Elbows – Pipe	31	
End Disc – Tube	16	
Epoxy Resin	57	
Expansion Joints	36	
Ferrule Fittings	19,20,21	
Flanges		
-TABLE	25	
-ANSI & DIN	25	
-Gal-Backing	25	
-Gaskets	25	
Flat Bar	56	NETT
Flat Faced Fittings	5	
Float Valves	37	
Flow Control Valves	38	
Foot Valves	43	
Gas Tanks	49	POA
Gate Valve	40	
Globe Valve	40	
Hand Rail Fittings	51-54	

www.geordi.com.au

ITEM	PAGE	DISC
Hose Clamps	18	
Hosetails - BSM/PLAIN	4	
Hygienic Fittings	7	
IDF Fittings	12	
Jacket End Disc	16	
Lubricant - Hygienic	57	
Lobster Back Bends	14	
Manifolds	15	NETT
Manholes	38	POA
Non Return Valves	42,43	
NPT Fittings	29	
NZ Fittings	8	
Piano Hinge	48	
Pickling Paste	57	
Pipe	55	NETT
Pig Tails	43	
Plug Cocks	40	
Pressure Relief Valves	47	
Reducers – Pipe	30	
Reducers – Tube	17	
Reducing Liners	4	
Rotary Diverting Valve	41	
Rotating Tank Cleaner	49	
Saddles	18	
Safety Valves	49	
Sample Valves	37	
Septum Sample Point	48	
Sight Glass Valves	43	
Sight Glasses	35,36	
SMS Fittings	9	
Socket Weld Fittings	29	
Spanners	3	
Spray balls	49	
Spring Check Valve	42	
Strainers / Filters	32,33,34	
Stub End – Pipe	30	
Stub End – Tube	16	
Swing Bolts	50	
Swing Check Valve	43	
Swing Joints	36	
Tank Level Sight Glass	43	
Tees – Pipe	31	
Tees – Tube	15	
Toggle Clamps	48	
Tube	55	NETT
U Bolts	49	
Valenches	24	
Walk Plate	49	
Welding and Polishing	56	NETT
Wine Fittings	23-24	

BSM HEX NUT (304)

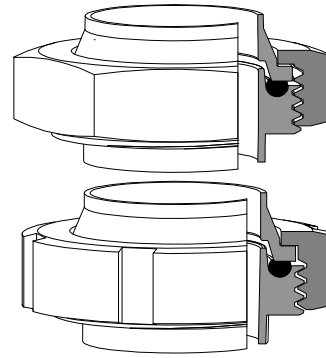
(BMN)



SIZE	PRICE
25mm	6.00
38mm	7.50
50mm	10.00
63mm	13.00
76mm	14.50
100mm	19.00
150mm	67.00

[12mm/18mm](#) [Page 7](#)
[125mm](#) [Page 5](#)
[200mm \(slotted\)](#) [Page 5](#)

BSM UNION

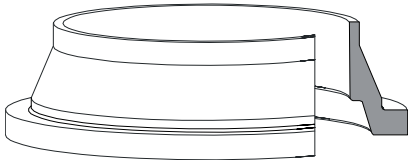


SIZE	Hex Nut	Slotted Nut
25mm	19.00	24.00
38mm	24.50	31.00
50mm	30.50	36.00
63mm	37.20	43.70
76mm	44.20	52.20
100mm	56.60	66.10
150mm	159.00	167.00

(BMU) (BMUS)

BSM LINER (316)

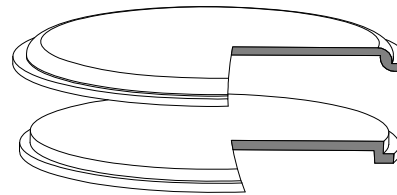
(BML)



SIZE	PRICE
25mm	5.00
38mm	6.00
50mm	7.00
63mm	8.50
76mm	10.50
100mm	13.00
150mm	35.00

BSM BLANK CAPS (316)

(BMC)

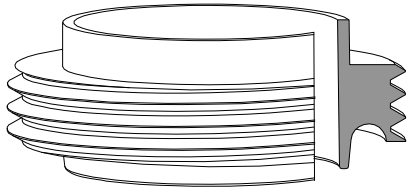


SIZE	PRICE
25mm	7.00
38mm	8.50
50mm	9.50
63mm	13.00
76mm	15.00
100mm	25.00
150mm	46.00
*150mm (BMCM)	95.00

*Machined

BSM MALE PART (316)

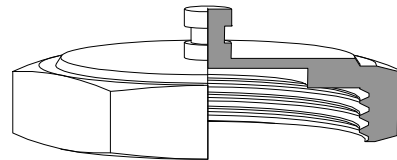
(BMM)



SIZE	PRICE
25mm	7.00
38mm	10.00
50mm	12.50
63mm	14.50
76mm	18.00
100mm	23.00
150mm	49.00

BSM BLANK NUT (316)

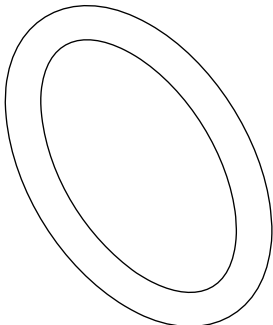
(BMBN)



SIZE	PRICE
25mm	19.00
38mm	21.00
50mm	28.00
63mm	36.00
76mm	43.00
100mm	54.00
125mm	170.00
150mm	170.00

BSM EPDM 'O'RING

(BMO1) (BMO2)

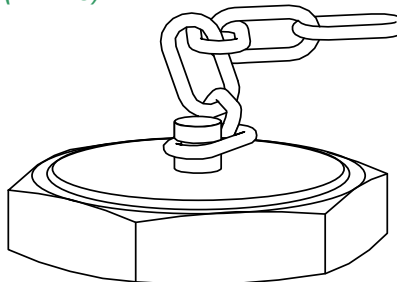


SIZE	(1)	(500)
25mm	1.00	0.75
38mm	1.00	0.75
50mm	1.00	0.75
63mm	1.20	0.90
76mm	1.20	0.90
100mm	1.60	1.20
*125mm	13.00	10.00
*150mm	8.00	6.00

* Bulk price is for 200 pieces

BSM BLANK NUT C/W 300mm CHAIN

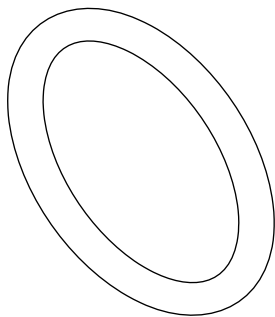
(BMBNC)



SIZE	PRICE
25mm	31.00
38mm	33.00
50mm	40.00
63mm	48.00
76mm	55.00
100mm	66.00
125mm	182.00
150mm	182.00

BSM TEFLON 'O'RINGS

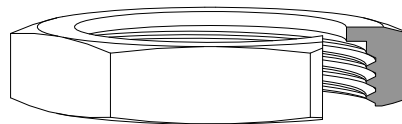
(BMTEF1) (BMTEF2)



SIZE	(1)	(25)
25mm	7.00	5.25
38mm	8.00	6.00
50mm	10.00	7.50
63mm	11.00	8.25
76mm	12.00	9.00
100mm	18.00	13.50
150mm	30.00	22.50

BSM 316 HEX NUT

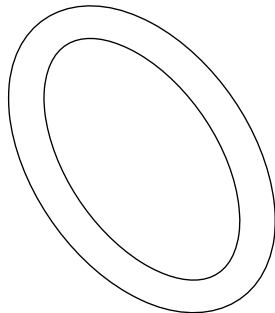
(BMN6)



SIZE	PRICE
25mm	11.50
38mm	15.50
50mm	20.00
63mm	24.50
76mm	28.50
100mm	35.00
125mm	100.00
150mm	100.00

BSM VITON 'O'RINGS

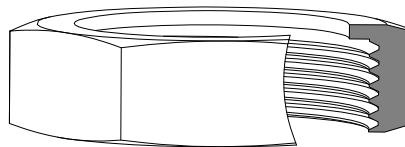
(BMVIT1) (BMVIT2)



SIZE	(1)	(25)
25mm	5.50	4.00
38mm	6.00	4.50
50mm	6.50	5.00
63mm	8.00	6.00
76mm	8.50	6.50
100mm	13.50	10.00
150mm	35.00	28.00

BSM HEX NUT HEAVY DUTY (304)

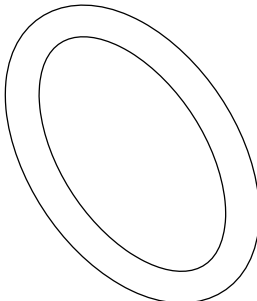
(BMNHD)



SIZE	PRICE
25mm	25.00
38mm	28.00
50mm	35.00
63mm	40.00
76mm	50.00
100mm	60.00
125mm	150.00
150mm	150.00

BSM SILICONE 'O'RINGS

(BMSIL1) (BMSIL2)



SIZE	(1)	(25)
25mm	1.50	1.10
38mm	1.50	1.10
50mm	1.50	1.10
63mm	1.80	1.35
76mm	1.80	1.35
100mm	2.40	1.80

AUSTRALIAN CIP EPDM SEALS

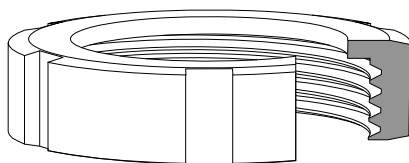
(BMAS1)



SIZE	PRICE
25mm	2.30
38mm	2.30
50mm	2.30
63mm	3.40
76mm	3.40
100mm	4.70

BSM SLOTTED NUT (304)

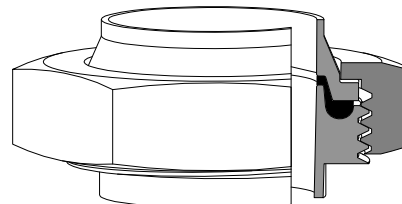
(BMSN)



SIZE	PRICE
25mm	11.00
38mm	14.00
50mm	15.50
63mm	19.50
76mm	22.50
100mm	28.50
125mm	75.00
150mm	75.00
200mm	107.00

AUSTRALIAN CIP UNION

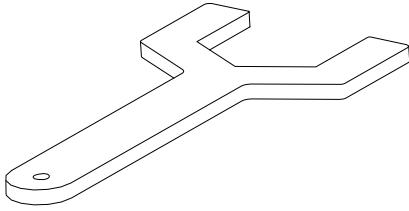
(BMUA)



SIZE	PRICE
25mm	20.30
38mm	25.80
50mm	31.80
63mm	39.40
76mm	46.40
100mm	59.70

BSM S/S SPANNER

(SP1)

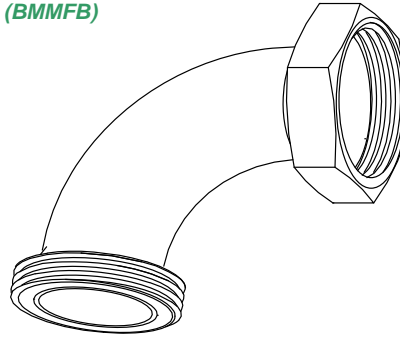


Material: 304

SIZE	PRICE
25mm	35.00
38mm	40.00
50mm	48.00
63mm	58.00
76mm	66.00
100mm	80.00
125mm	125.00
150mm	125.00

BSM M&F 90° BEND

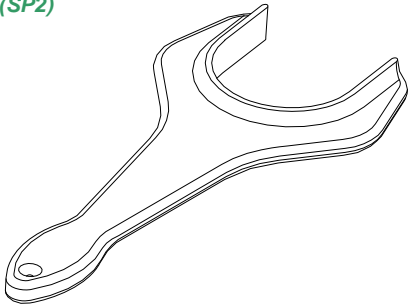
(BMMFB)



SIZE	PRICE
25mm	103.00
38mm	123.00
50mm	136.00
63mm	175.00
76mm	194.00
100mm	252.00

BSM ALUMINIUM SPANNER

(SP2)

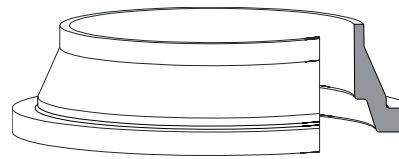


Material: 304

SIZE	PRICE
25mm	17.00
38mm	20.00
50mm	25.00
63mm	30.00
76mm	39.00
100mm	43.00
125mm	68.00
150mm	68.00

BSM 2205 LINER

(2205L)



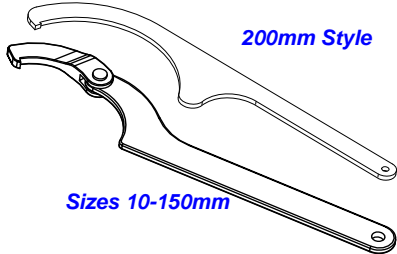
SIZE	PRICE
25mm	15.00
38mm	17.00
50mm	20.00
63mm	23.00
76mm	25.00
100mm	40.00

S/S ADJUSTABLE HINGED SPANNER

(SP3)

TO SUIT SLOTTED NUTS

200mm Style



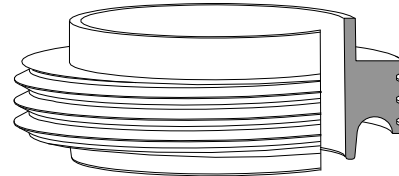
Sizes 10-150mm

Material: 304

SIZE	PRICE
10-20mm	70.00
25-40mm	70.00
50-100mm	80.00
125-150mm	120.00
*200mm	180.00

BSM 2205 MALE PART

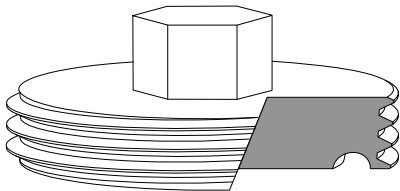
(2205M)



SIZE	PRICE
25mm	25.00
38mm	27.00
50mm	30.00
63mm	35.00
76mm	42.00
100mm	60.00

BSM MALE BLANK (316)

(BMMB)

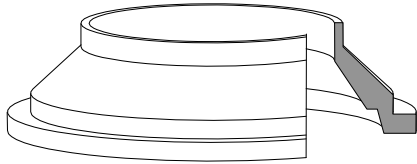


SIZE	PRICE
25mm	40.00
38mm	44.00
50mm	50.00
63mm	55.00
76mm	65.00
100mm	75.00
125mm	120.00
150mm	120.00

Sizes 125-150mm
Fabricated

REDUCING LINER (machined)

(BMRLM)

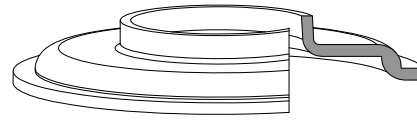


Material: 316

SIZE	PRICE
38>25	35.00
50>(38-25)	44.00
63>(50-25)	55.00
76>(63-25)	60.00
100>(76-25)	90.00

REDUCING LINER (pressed)

(BMRLP)

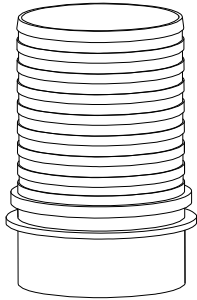


Material: 316

SIZE	PRICE
38>25	15.00
50>(38-25)	18.00
63>(50-25)	20.00
76>(63-25)	23.00
100>(76-25)	29.00

CRIMP TAILS (316)

(HTC)

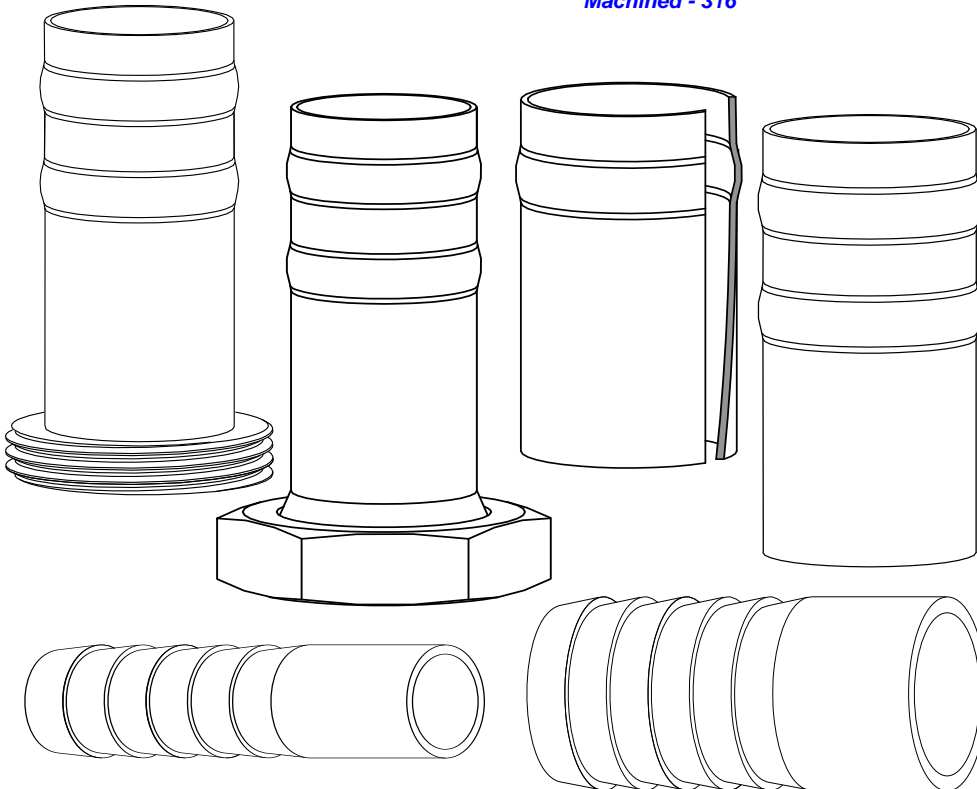


SIZE	PRICE
25mm	28.00
38mm	36.00
50mm	48.00
76mm	60.00

GEORDI BSM AND PLAIN HOSETAILS

(HTS) (HTD) (HTM) (HTBM) (HTBF)

Material: All rolled H-Tails - 304
Machined - 316



PLAIN TUBE HOSETAILS

SIZE	Single	Double	Mach'd
*6mm			12.00
*8mm			12.00
*9mm			12.00
*12mm			12.00
*15mm			12.00
*18mm			12.00
*22mm			12.00
25mm	12.00	14.00	14.00
31mm	13.00	15.00	16.00
38mm	13.00	15.00	18.00
50mm	14.00	16.00	22.00
63mm	18.00	20.00	34.00
76mm	20.00	22.00	49.00
100mm	28.00	30.00	80.00
125mm		48.00	
150mm		48.00	190.00
200mm		120.00	

*Machined only

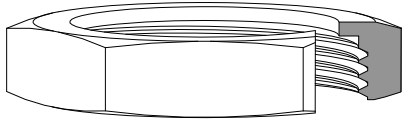
BSM HOSETAILS

SIZE	Male	Female
25mm	58.00	62.00
38mm	67.00	70.50
50mm	70.50	75.00
63mm	84.50	91.50
76mm	90.00	97.00
100mm	117.00	126.00

Male Hosetails are Flat Faced

FLAT FACED HEX NUT

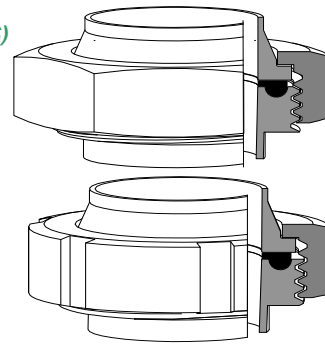
(FFN)



SIZE	PRICE
25mm	6.00
38mm	7.50
50mm	10.00
63mm	13.00
76mm	14.50
100mm	19.00
125mm	67.00
150mm	67.00

FLAT FACED UNION

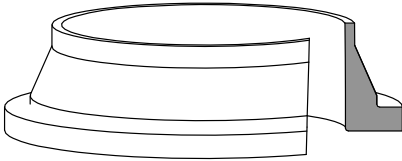
(FFU)
(FFUS)



SIZE	Hex Nut	Slotted Nut
25mm	19.60	24.60
38mm	25.10	31.60
50mm	31.10	36.60
63mm	37.80	44.30
76mm	44.80	52.80
100mm	57.00	66.50
125mm	164.00	172.00
150mm	164.00	172.00
200mm	-	283.00

FLAT FACED LINER (316)

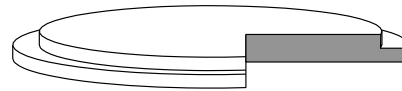
(FFL)



SIZE	PRICE
25mm	5.00
38mm	6.00
50mm	7.00
63mm	8.50
76mm	10.50
100mm	13.00
125mm	35.00
150mm	35.00
200mm	62.00

FLAT FACED BLANK CAPS

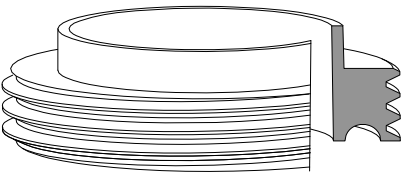
(FFC)



SIZE	PRICE
25mm	17.00
38mm	21.00
50mm	23.00
63mm	30.00
76mm	32.00
100mm	40.00
125mm	95.00
150mm	95.00
200mm	140.00

FLAT FACED MALE PART (316)

(FFM)



SIZE	PRICE
25mm	7.00
38mm	10.00
50mm	12.50
63mm	14.50
76mm	18.00
100mm	23.00
125mm	49.00
150mm	49.00
200mm	74.00

FLAT FACED TEFLON SEAL

(FFT1) (FFT2)



SIZE	(1)	(25)
25mm	11.00	8.25
38mm	13.00	9.75
50mm	14.00	10.50
63mm	16.00	12.00
76mm	20.00	15.00
100mm	22.00	16.50
125mm	35.00	26.25
150mm	35.00	26.25

FLAT FACED EPDM SEAL

(FF1) (FF2)



SIZE	(1)	(500)
25mm	1.60	1.20
38mm	1.60	1.20
50mm	1.60	1.20
63mm	1.80	1.35
76mm	1.80	1.35
100mm	2.00	1.50
*125mm	13.00	10.00
*150mm	13.00	10.00
200mm	40.00	-

*Bulk price is for 200 pieces

FLAT FACED VITON SEAL

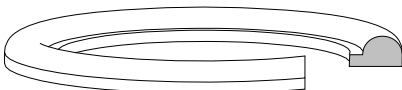
(FFV1) (FFV2)



SIZE	(1)	(25)
25mm	8.00	6.00
38mm	9.00	7.00
50mm	10.00	7.50
63mm	11.00	8.50
76mm	12.00	9.00
100mm	15.00	11.50
125mm	53.00	40.00
150mm	53.00	40.00

FLAT FACED SILICONE SEAL

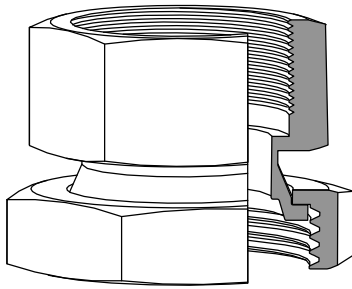
(FFS1) (FFS2)



SIZE	(1)	(25)
25mm	2.00	1.50
38mm	2.00	1.50
50mm	2.00	1.50
63mm	2.40	1.80
76mm	2.40	1.80
100mm	3.00	2.25

BSM FEMALE/BSP FEMALE ADAPTOR

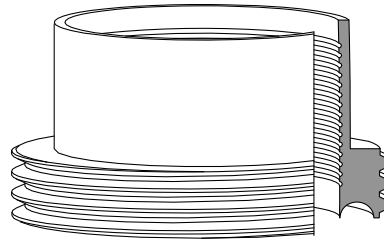
(AD1)



SIZE	PRICE
25mm	71.00
38mm	84.00
50mm	92.00
63mm	114.00
76mm	121.00
100mm	154.00

BSM EXPANDON MALE PART

(EXPM)

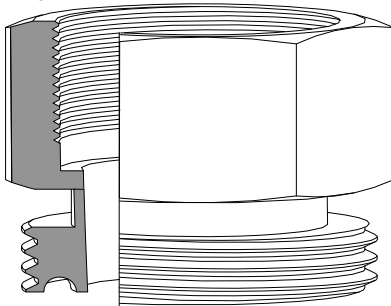


SIZE	PRICE
25mm	15.00
38mm	20.00
50mm	22.00
63mm	28.00
76mm	30.00
100mm	40.00

Material Grade: 304

BSM MALE*/BSP FEMALE ADAPTOR

(AD2)

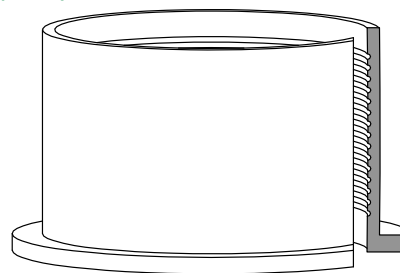


SIZE	PRICE
25mm	67.00
38mm	81.00
50mm	87.00
63mm	107.00
76mm	114.00
100mm	145.00

**MALE IS FLAT FACED*

BSM EXPANDON LINER

(EXPL)

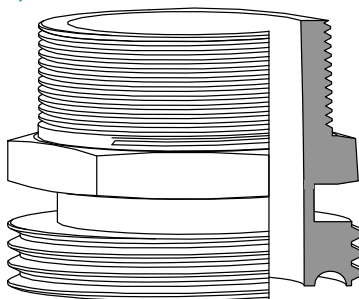


SIZE	PRICE
25mm	12.00
38mm	15.00
50mm	16.00
63mm	22.00
76mm	30.00
100mm	40.00

Material Grade: 304

BSM MALE*/BSP MALE ADAPTOR

(AD3)

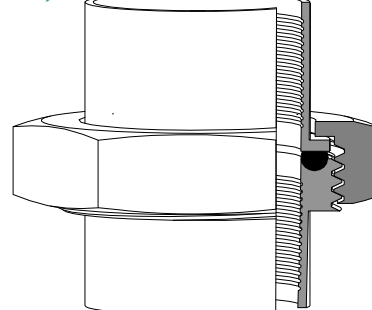


SIZE	PRICE
25mm	57.00
38mm	70.00
50mm	74.00
63mm	89.00
76mm	98.00
100mm	127.00

**MALE IS FLAT FACED*

BSM EXPANDON UNION

(EXPU)

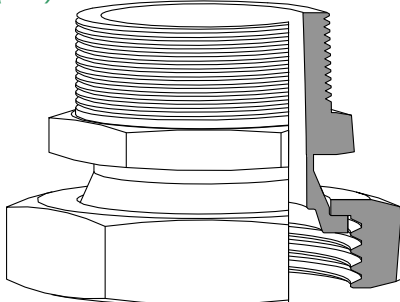


SIZE	PRICE
25mm	34.00
38mm	43.50
50mm	49.00
63mm	64.20
76mm	75.70
100mm	100.60

Material Grade: 304

BSM FEMALE/BSP MALE* ADAPTOR

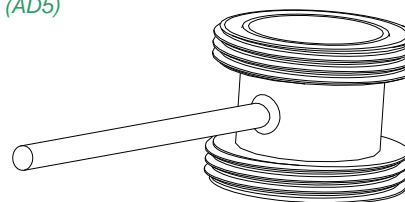
(AD4)



SIZE	PRICE
25mm	61.00
38mm	73.00
50mm	79.00
63mm	96.00
76mm	105.00
100mm	136.00

BSM MALE* CONNECTORS

(AD5)

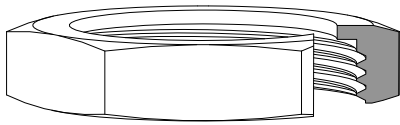


SIZE	PRICE
25mm	113.00
38mm	129.00
50mm	134.00
63mm	154.00
76mm	161.00
100mm	199.00

**Male Modified (Flat Faced)*

HYGIENIC HEX NUT

(HYGN)

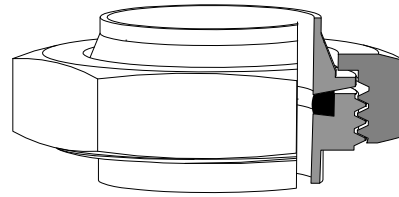


SIZE	PRICE
12mm	14.50
18mm	14.50
25mm	6.00
38mm	7.50
50mm	10.00
63mm	13.00
76mm	14.50
100mm	19.00

Material Grade: 304

HYGIENIC UNION

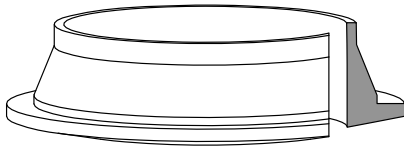
(HYGU)



SIZE	PRICE
12mm	37.00
18mm	37.00
25mm	34.00
38mm	40.00
50mm	45.50
63mm	55.50
76mm	63.50
100mm	80.00

HYGIENIC LINER

(HYGL)

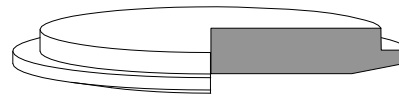


SIZE	PRICE
12mm	9.50
18mm	9.50
25mm	10.00
38mm	12.00
50mm	14.00
63mm	16.00
76mm	18.00
100mm	20.00

Material Grade: 316

HYGIENIC BLANK CAPS

(HYGC)

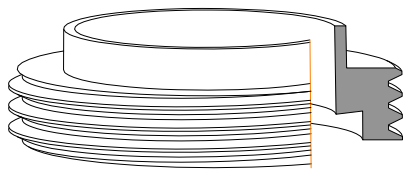


SIZE	PRICE
12mm	16.00
18mm	16.00
25mm	20.00
38mm	25.00
50mm	30.00
63mm	35.00
76mm	40.00
100mm	50.00

Material Grade: 316

HYGIENIC MALE PART

(HYGM)

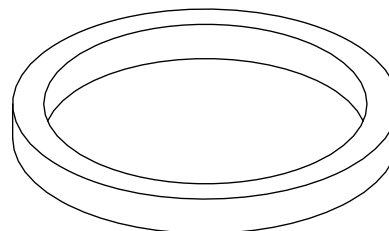


SIZE	PRICE
12mm	12.00
18mm	12.00
25mm	15.00
38mm	17.00
50mm	18.00
63mm	22.00
76mm	26.00
100mm	35.00

Material Grade: 316

HYGIENIC TEFLON SEAL

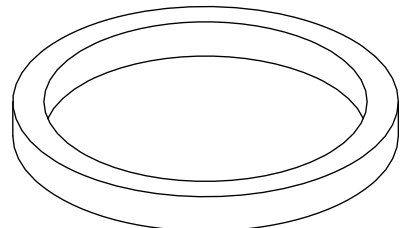
(HYGTS)



SIZE	PRICE
12mm	8.00
18mm	8.00
25mm	12.00
38mm	14.00
50mm	16.00
63mm	18.00
76mm	20.00
100mm	24.00

HYGIENIC EPDM SEAL

(HYGS)



SIZE	PRICE
12mm	1.00
18mm	1.00
25mm	3.00
38mm	3.50
50mm	3.50
63mm	4.50
76mm	5.00
100mm	6.00

N.Z. HEX NUT

(NZN)

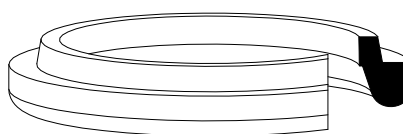


Material Grade: 304

SIZE	PRICE
25mm	6.00
38mm	7.50
50mm	10.00
63mm	13.00
76mm	14.50
100mm	19.00
150mm	67.00

N.Z. EPDM SEAL

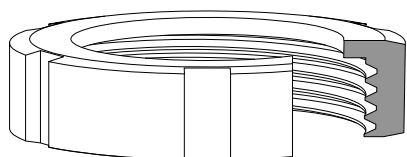
(NZS1) (NZS2)



SIZE	PRICE
25mm	2.75
38mm	2.75
50mm	2.75
63mm	3.50
76mm	3.50
100mm	4.00
125mm	25.00
150mm	25.00

N.Z. SLOTTED NUT

(NZSN)

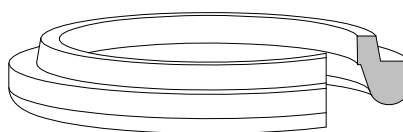


Material Grade: 304

SIZE	PRICE
25mm	11.00
38mm	14.00
50mm	15.50
63mm	19.50
76mm	22.50
100mm	28.50
150mm	75.00

N.Z. TEFLON SEAL

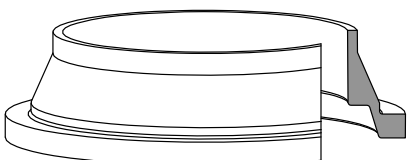
(NZT1) (NZT2)



SIZE	(1)	(25)
25mm	18.00	13.50
38mm	20.00	15.00
50mm	22.00	16.50
63mm	26.00	19.50
76mm	30.00	22.50
100mm	40.00	30.00

N.Z. LINER

(NZL)

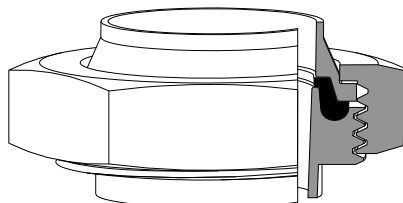


Material Grade: 316

SIZE	PRICE
25mm	7.50
38mm	9.00
50mm	10.50
63mm	13.00
76mm	16.00
100mm	20.00
150mm	55.00

N.Z. UNION (Hex Nut)

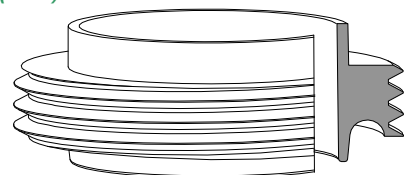
(NZU)



SIZE	PRICE
25mm	23.25
38mm	29.25
50mm	35.75
63mm	44.00
76mm	52.00
100mm	66.00
150mm	196.00

N.Z. MALE PART

(NZM)

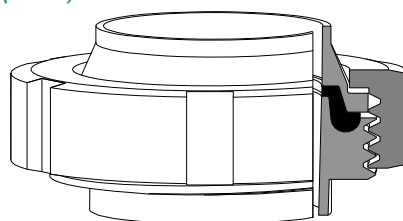


Material Grade: 316

SIZE	PRICE
25mm	7.00
38mm	10.00
50mm	12.50
63mm	14.50
76mm	18.00
100mm	23.00
150mm	49.00

N.Z. UNION (Slotted Nut)

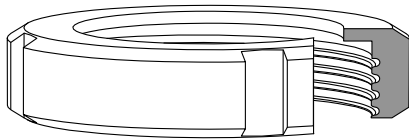
(NZUS)



SIZE	PRICE
25mm	28.25
38mm	35.75
50mm	41.25
63mm	50.50
76mm	60.00
100mm	75.50
150mm	204.00

SMS SLOTTED NUT

(SMSN)

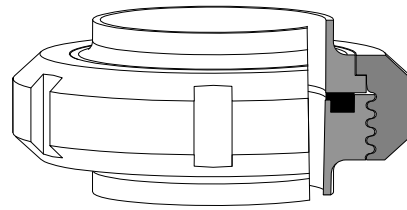


SIZE	PRICE
25mm	12.00
38mm	16.00
50mm	19.00
63mm	25.00
76mm	31.00
100mm	37.00

Material Grade: 304

SMS UNION

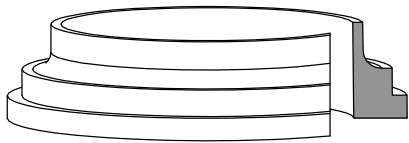
(SMSU)



SIZE	PRICE
25mm	32.50
38mm	47.00
50mm	54.50
63mm	70.50
76mm	88.50
100mm	119.00

SMS LINER

(SMSL)

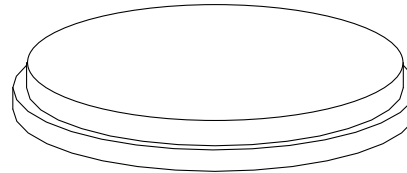


SIZE	PRICE
25mm	8.00
38mm	10.00
50mm	12.00
63mm	15.00
76mm	20.00
100mm	24.00

Material Grade: 316

SMS BLANK CAP

(SMSC)

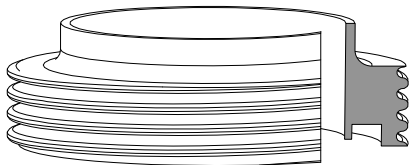


SIZE	PRICE
25mm	20.00
38mm	25.00
50mm	30.00
63mm	35.00
76mm	40.00
100mm	50.00

Material Grade: 316

SMS MALE

(SMSM)

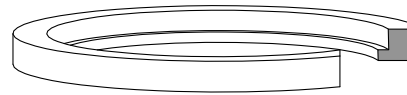


SIZE	PRICE
25mm	10.00
38mm	18.00
50mm	20.00
63mm	26.00
76mm	32.00
100mm	50.00

Material Grade: 316

SMS VITON SEAL

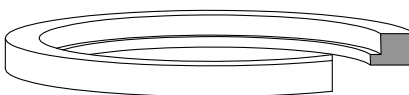
(SMSSV)



SIZE	PRICE
25mm	10.00
38mm	10.00
50mm	12.00
63mm	15.00
76mm	20.00
100mm	26.00

SMS EPDM SEAL

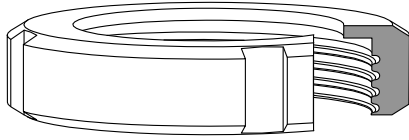
(SMSS)



SIZE	PRICE
25mm	2.50
38mm	3.00
50mm	3.50
63mm	4.50
76mm	5.50
100mm	8.00

DIN SLOTTED NUT

(DINN)

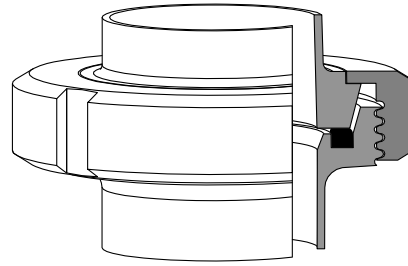


Material Grade: 304

SIZE	PRICE
12mm	13.00
18mm	13.00
25mm	14.00
31mm	15.00
38mm	17.00
50mm	20.00
63mm	27.00
76mm	40.00
100mm	47.00

DIN UNION

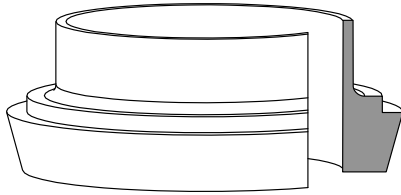
(DINU)



SIZE	PRICE
12mm	34.50
18mm	35.00
25mm	38.50
31mm	44.50
38mm	49.50
50mm	58.00
63mm	87.00
76mm	127.00
100mm	152.00

DIN LINER

(DINL)

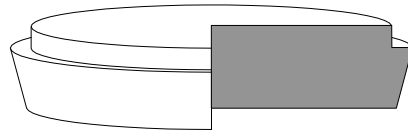


Material Grade: 316

SIZE	PRICE
12mm	8.00
18mm	8.00
25mm	9.00
31mm	11.00
38mm	13.00
50mm	15.00
63mm	25.00
76mm	34.00
100mm	44.00

DIN BLANK CAP

(DINC)

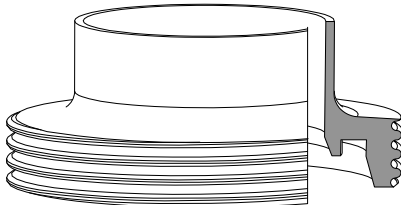


Material Grade: 316

SIZE	PRICE
12mm	20.00
18mm	20.00
25mm	26.00
31mm	33.00
38mm	33.00
50mm	40.00
63mm	50.00
76mm	55.00
100mm	66.00

DIN MALE PART

(DINM)

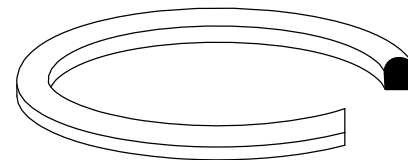


Material Grade: 316

SIZE	PRICE
12mm	12.00
18mm	12.00
25mm	13.00
31mm	16.00
38mm	17.00
50mm	20.00
63mm	31.00
76mm	48.00
100mm	54.00

DIN VITON SEAL

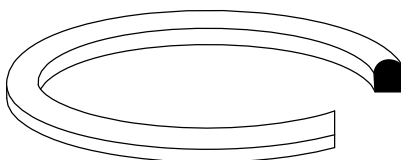
(DINSV)



SIZE	PRICE
12mm	8.00
18mm	8.00
25mm	10.00
31mm	10.00
38mm	10.00
50mm	12.00
63mm	15.00
76mm	20.00
100mm	26.00

DIN EPDM SEAL

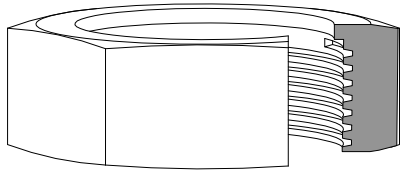
(DINS)



SIZE	PRICE
12mm	1.50
18mm	2.00
25mm	2.50
31mm	2.50
38mm	2.50
50mm	3.00
63mm	4.00
76mm	5.00
100mm	7.00

3A HEX NUT

(3AN)

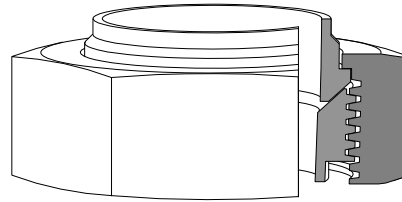


SIZE	PRICE
25mm	22.00
38mm	24.00
50mm	26.00
63mm	47.00
76mm	50.00
100mm	53.00

Material Grade: 304

3A UNION

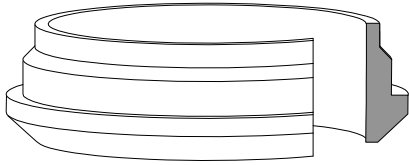
(3AU)



SIZE	PRICE
25mm	46.00
38mm	52.00
50mm	68.00
63mm	101.00
76mm	120.00
100mm	167.00

3A LINER

(3AL)

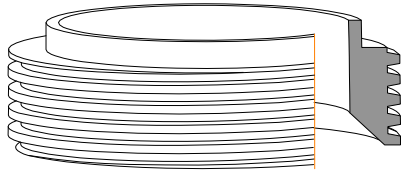


SIZE	PRICE
25mm	11.00
38mm	12.00
50mm	18.00
63mm	24.00
76mm	30.00
100mm	46.00

Material Grade: 316

3A MALE PART

(3AM)

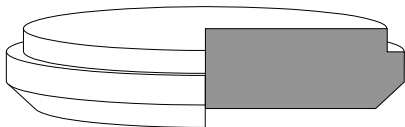


SIZE	PRICE
25mm	13.00
38mm	16.00
50mm	24.00
63mm	30.00
76mm	40.00
100mm	68.00

Material Grade: 316

3A BLANK CAP

(3AC)

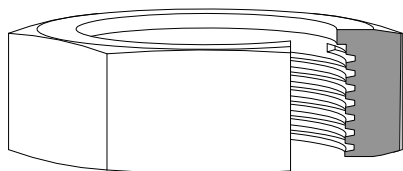


SIZE	PRICE
25mm	26.00
38mm	33.00
50mm	40.00
63mm	50.00
76mm	55.00
100mm	66.00

Material Grade: 316

IDF HEX NUT

(IDFN)

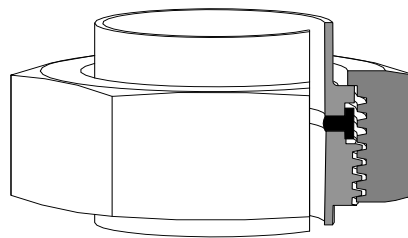


SIZE	PRICE
25mm	22.00
38mm	24.00
50mm	26.00
63mm	47.00
76mm	50.00
100mm	53.00

Material Grade: 304

IDF UNION

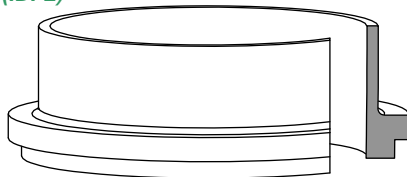
(IDFU)



SIZE	PRICE
25mm	48.00
38mm	54.50
50mm	71.00
63mm	104.50
76mm	124.00
100mm	173.00

IDF LINER

(IDFL)

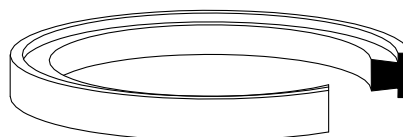


SIZE	PRICE
25mm	11.00
38mm	12.00
50mm	18.00
63mm	24.00
76mm	30.00
100mm	46.00

Material Grade: 316

IDF EPDM SEAL

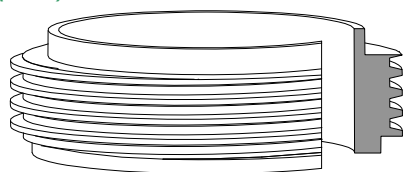
(IDFS)



SIZE	PRICE
25mm	2.00
38mm	2.50
50mm	3.00
63mm	3.50
76mm	4.00
100mm	6.00

IDF MALE PART

(IDFM)

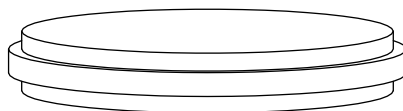


SIZE	PRICE
25mm	13.00
38mm	16.00
50mm	24.00
63mm	30.00
76mm	40.00
100mm	68.00

Material Grade: 316

IDF BLANK CAP

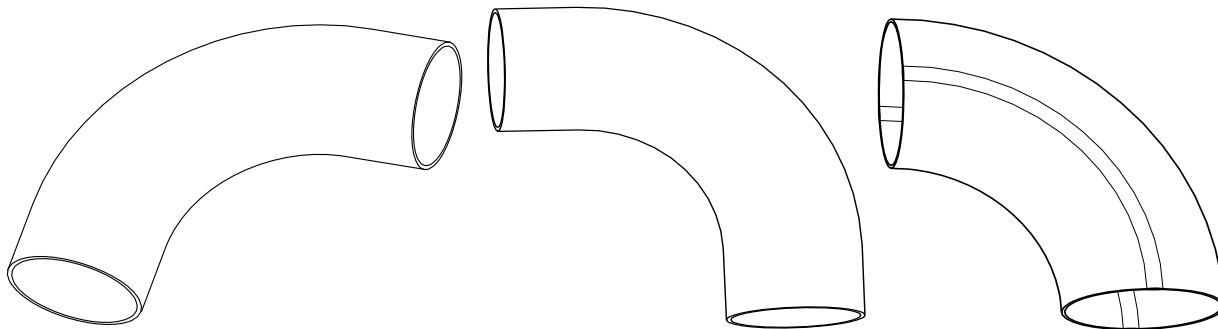
(IDFC)



SIZE	PRICE
25mm	26.00
38mm	33.00
50mm	40.00
63mm	50.00
76mm	55.00
100mm	66.00

Material Grade: 316

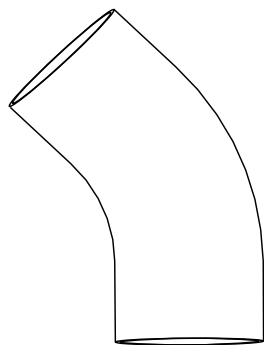
90° TUBE BENDS



SIZE	***** 316 16# *****			***** 304 16# *****			316 14#	Pressed Bend 316 #14		2205 16#
	Unpol	Polish	Zetan Pol	Unpol	Polish	Zetan Pol	Polish	90° Unpol	45° Unpol	UNPOL
6mm	-	7.00	-	-	-	-	-	-	-	-
9mm	-	7.00	-	-	-	-	-	-	-	-
12mm	-	7.80	-	-	-	-	-	-	-	-
15mm	-	9.30	-	-	-	-	-	-	-	-
18mm	-	9.45	-	-	7.95	-	-	-	-	29.40
25mm	-	11.40	10.20	-	9.10	8.75	-	-	-	18.30
31mm	-	14.05	14.05	-	11.25	11.00	-	-	-	-
38mm	-	15.80	14.25	-	12.05	11.00	34.00	-	-	30.20
45mm	-	34.75	-	-	-	-	-	-	-	-
50mm	-	23.40	21.25	-	17.95	15.75	52.00	-	-	55.75
63mm	-	39.60	30.95	-	28.65	21.35	75.00	-	-	-
76mm	-	51.75	38.85	-	38.35	30.65	85.00	-	-	119.15 #14
89mm	-	51.50	-	-	-	-	-	-	-	152.70 #14
100mm	-	69.50	64.40	-	52.45	48.90	120.00	-	-	264.55 #14
125mm	152.30	156.00	-	-	-	-	-	-	-	-
150mm (14#)	219.55	223.25	-	163.20	166.90	-	-	-	-	-
200mm	200.00	-	-	-	-	-	-	-	-	-
250mm	-	-	-	-	-	-	-	455.00	320.00	-
300mm	-	-	-	-	-	-	-	685.00	480.00	-

(U90B6)
(P90B6)
(P90B6Z)
(U90B4)
(P90B4)
(P90B4Z)
(P90B14)
(BPB9)
(BPB4)
(B2205)

45° TUBE BENDS 316

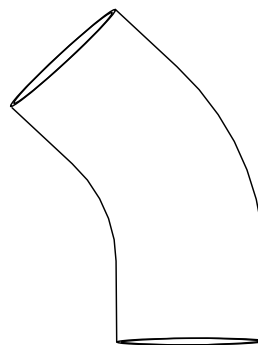


(U45B6 P45B6)

(150mm & 200mm in 14# wall)

SIZE	UNPOL	POL
12mm	-	7.20
18mm	-	8.25
25mm	-	10.45
31mm	-	12.70
38mm	-	14.35
45mm	-	32.60
50mm	-	21.50
63mm	-	29.10
76mm	-	40.55
89mm	-	45.05
100mm	-	62.55
125mm	133.65	137.35
150mm	192.15	195.85
200mm	140.00	-

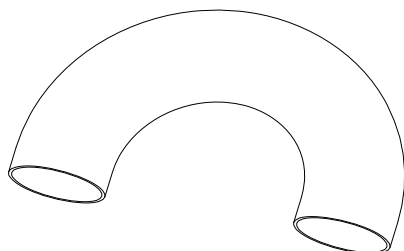
45° TUBE BENDS 304



(U45B4 P45B4)

SIZE	UnPol	Pol
50mm	-	16.65
63mm	-	23.25
76mm	-	31.80
100mm	-	47.20
150mm	143.15	146.85

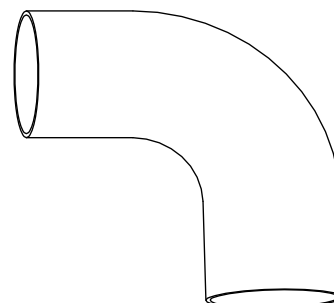
180° TUBE BENDS 316



(U180B6 P180B6)

SIZE	Polished
18mm	18.70
25mm	22.70
31mm	27.00
38mm	33.20
45mm	83.75
50mm	52.55
63mm	73.75
76mm	101.85
100mm	161.65

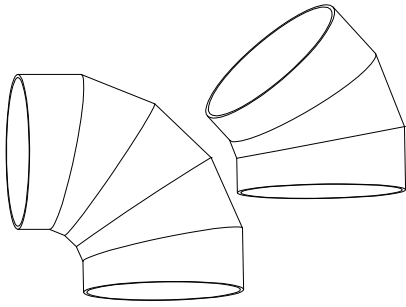
90° TUBE BENDS 1x RADIUS (316)



(B1R)

SIZE	PRICE
25mm	12.00
38mm	15.00
50mm	20.00
63mm	30.00
76mm	40.00
100mm	70.00

90° 5 PIECE LOBSTER BACK 316 TUBE BENDS

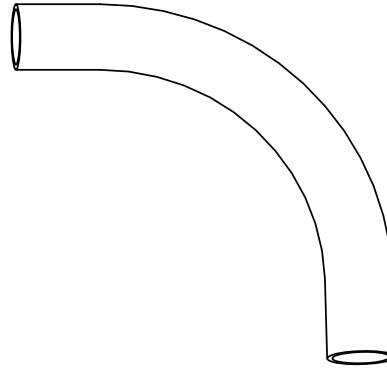


SIZE	16#	14#
200mm	POA	POA
250mm	POA	POA
300mm	POA	POA
350mm	POA	POA
400mm	POA	POA
450mm	POA	POA
500mm	POA	POA

(BLB6 BLB4)

* 45° Available - POA

90° LONG RADIUS BENDS #16 316

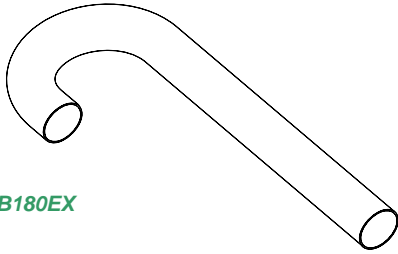


SIZE	CLR	PRICE
38mm	250mm	170.00
50mm	200mm	205.00
50mm	250mm	215.00
50mm	330mm	225.00
63mm	250mm	260.00
76mm	265mm	355.00
76mm	600mm	465.00
76mm	900mm	330.00
100mm	300mm	500.00
100mm	465mm	705.00
100mm	600mm	720.00
100mm	900mm	460.00
150mm	1100mm	1425.00

(BLR)

CLR: Ctr Line Radius

EXTENDED LEG 180° BENDS

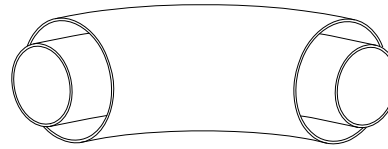


SIZE	PRICE
38mm	39.00
50mm	56.00

B180EX

NOTE: Made from polished tube but requires additional polishing cleanup

JACKETED BEND COMBO



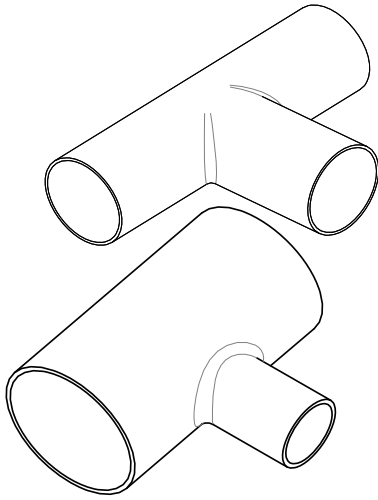
SIZE	PRICE
50/76mm	53.00
76/100mm	95.00

BJAC

Outer Bend: 304 SS
Inner Bend: 316 SS

TUBE TEE & REDUCING TEE

(T6, T4, T14, T2205)



SIZE	316 16#	304 16#	316 14#	2205
12mm	11.00	-	-	-
18mm	11.00	-	-	85.00
25mm	11.00	-	-	85.00
31mm	15.00	-	-	-
38mm	15.00	13.00	-	92.00
50mm	21.00	18.00	44.00	110.00
63mm	33.00	25.00	55.00	132.00
76mm	46.00	32.00	77.00	196.00
100mm	78.00	70.00	100.00	260.00
125mm	160.00	-	-	-
150mm	180.00	156.00	216.00	-
▼ UNPOLISHED ▼				
200mm	-	-	300.00	-
250mm	-	-	490.00	-
300mm	-	-	995.00	-

304 Reducing Tees only available on special orders

MANIFOLDS

Manifolds 3m lengths and under

25mm-50mm	46.00 per pull
63mm-100mm	60.00 per pull
125mm-150mm	90.00 per pull

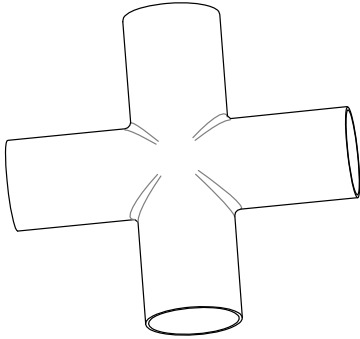
Manifolds over 3m lengths

25mm-50mm	58.00 per pull
63mm-100mm	75.00 per pull
125mm-150mm	112.00 per pull

(All nett prices)

TUBE CROSS 316 16#

(TC)

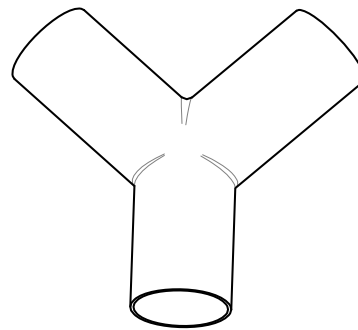


SIZE	PRICE
12mm	30.00
18mm	30.00
25mm	36.00
31mm	42.00
38mm	42.00
50mm	53.00
63mm	71.00
76mm	90.00
100mm	128.00
▼ UNPOLISHED ▼	
125mm	290.00
150mm	300.00
*200mm	540.00
*250mm	790.00
*300mm	1090.00

*14# WALL

"Y" PIECE 316 16#

(Y6)

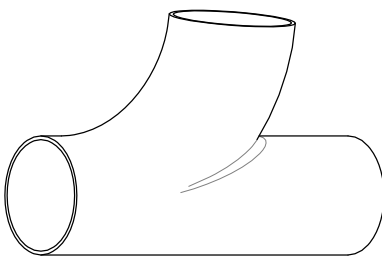


SIZE	PRICE
12mm	35.00
18mm	35.00
25mm	50.00
31mm	55.00
38mm	56.00
50mm	66.00
63mm	90.00
76mm	115.00
100mm	150.00
▼ UNPOLISHED ▼	
125mm	350.00
150mm	370.00
*200mm	900.00
*250mm	1230.00
*300mm	2150.00

*14# WALL

SWEEP TEES 316 16#

(ST)

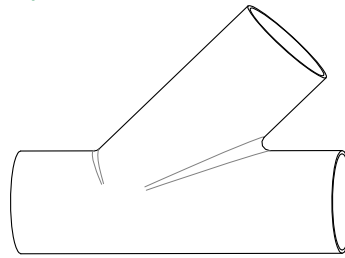


SIZE	PRICE
12mm	85.00
18mm	85.00
25mm	95.00
31mm	105.00
38mm	105.00
50mm	110.00
63mm	135.00
76mm	165.00
100mm	215.00
▼ UNPOLISHED ▼	
125mm	665.00
150mm	735.00
*200mm	860.00
*250mm	1285.00
*300mm	1950.00

*14# WALL

45° TEE 316 16#

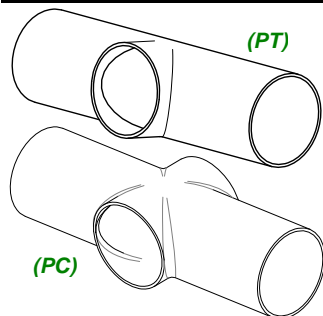
(45T)



SIZE	PRICE
12mm	35.00
18mm	35.00
25mm	50.00
31mm	55.00
38mm	55.00
50mm	65.00
63mm	90.00
76mm	125.00
100mm	175.00
▼ UNPOLISHED ▼	
125mm	390.00
150mm	420.00
*200mm	785.00
*250mm	1080.00
*300mm	1660.00

*14# WALL

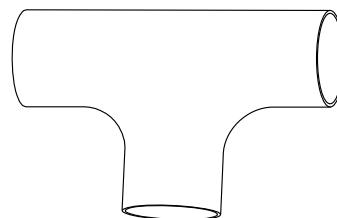
PULLED TEES & CROSSES 316 16#



SIZE	TEE	CROSS
12mm	9.00	18.00
18mm	9.00	18.00
25mm	9.00	18.00
31mm	10.50	21.00
38mm	10.50	21.00
50mm	17.00	34.00
63mm	26.50	53.00
76mm	37.00	74.00
100mm	53.00	106.00
UNPOLISHED		
125mm	100.00	200.00
150mm	115.00	230.00

RADIUS TEES 316 16#

(RT)

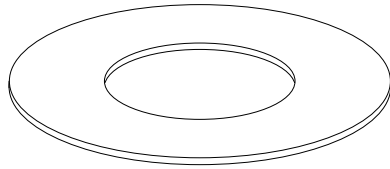


SIZE	PRICE
25mm	46.00
31mm	49.00
38mm	51.00
50mm	64.00
63mm	98.00
76mm	137.00
100mm	165.00
*150mm	418.00

*14# WALL

CEILING PLATE - PLAIN

(CP)

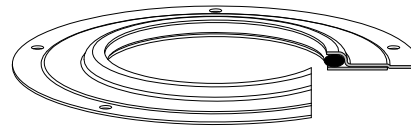


Material Grade: 304

SIZE	PRICE
12mm	10.00
18mm	10.00
25mm	10.00
31mm	10.00
38mm	10.00
50mm	11.00
63mm	12.00
76mm	13.00
100mm	14.00
125mm	20.00
150mm	20.00

CEILING PLATE C/W ORING

(CPOR)



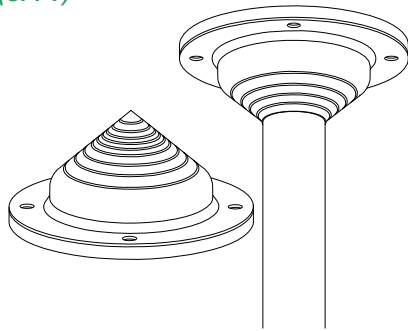
Material Grade: 304

*150mm is Flat Style

SIZE	PRICE
12mm	-
18mm	13.00
25mm	13.50
31mm	14.50
38mm	15.00
50mm	17.00
63mm	21.00
76mm	30.00
100mm	37.00
125mm	-
*150mm	47.00

PIPETITES

(CPPT)

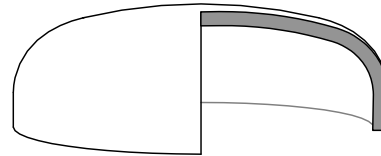


SIZE RANGE	PRICE
0 - 25mm	57.50
0 - 65mm	57.50
0 - 95mm	73.50
70 - 135mm	119.00
100 - 180mm	171.00

Made from food grade
high temperature
silicone.

TUBE END CAP

(TEC)

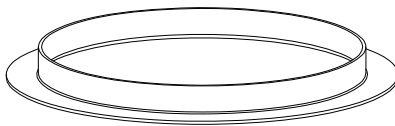


Material Grade: 316

SIZE	PRICE
12mm	10.00
18mm	10.00
25mm	10.00
31mm	12.00
38mm	12.00
50mm	12.00
63mm	15.00
76mm	16.50
100mm	20.00
125mm	28.00
150mm	32.00
200mm	48.00
250mm	72.00
300mm	92.00
350mm	200.00
400mm	220.00

TUBE ANGLE RING

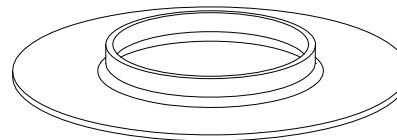
(TAR)



SIZE	PRICE
76mm	40.00
100mm	50.00
125mm	56.00
150mm	60.00
200mm	72.00
250mm	119.00
300mm	137.00
350mm	196.00
400mm	217.00
450mm	246.00
500mm	273.00
600mm	330.00

TUBE STUB END

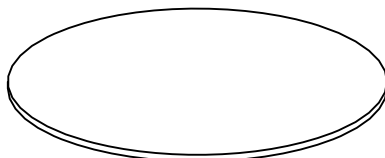
(TSE)



SIZE	PRICE
12mm	10.00
18mm	10.00
25mm	10.00
31mm	12.00
38mm	12.00
50mm	12.00
63mm	16.00
76mm	19.00
100mm	26.00
125mm	36.00
150mm	36.00

TUBE END DISC

(TED1, TED3)

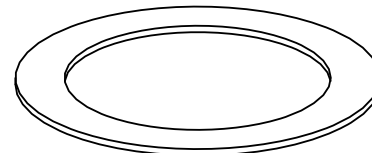


Material Grade: 316

SIZE	16#	10#
25mm	5.00	6.00
31mm	5.00	6.00
38mm	5.00	6.00
50mm	5.00	6.00
63mm	5.00	6.00
76mm	6.00	7.50
100mm	7.00	9.00
125mm	8.00	10.00
150mm	10.00	12.00
200mm		25.00
250mm		28.00
300mm		32.00
350mm		45.00
400mm		60.00
450mm		70.00
500mm		85.00

JACKET END DISC

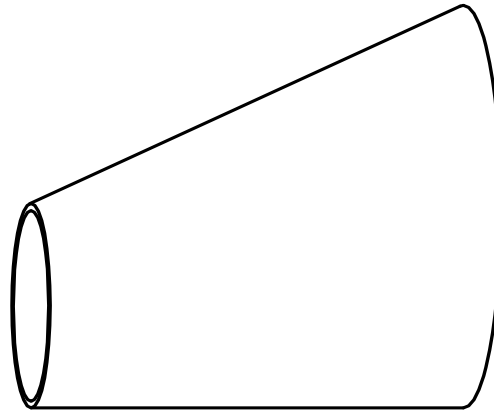
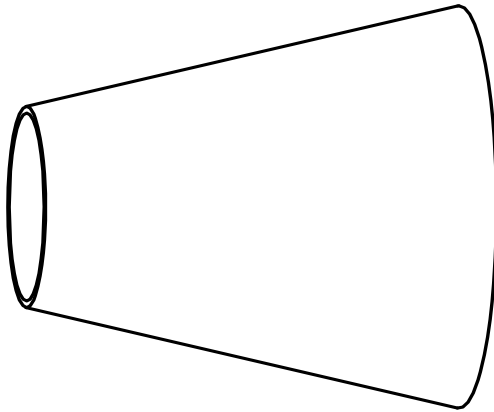
(JED)



Material Grade: 316

SIZE	PRICE
38x25mm	7.00
50x38mm	8.00
50x25mm	8.00
63x50mm	10.00
63x38mm	10.00
76x63mm	10.50
76x50mm	10.50
76x38mm	10.50
100x76mm	11.00
100x63mm	11.00
100x50mm	11.00
127x100mm	20.00
150x127mm	22.00
150x100mm	22.00
200x150mm	27.00

316 CONCENTRIC & ECCENTRIC TUBE REDUCERS

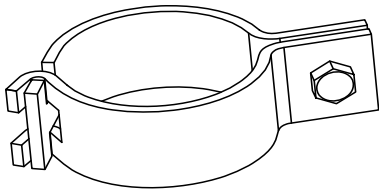


SIZE	16# (CONC)	16# (ECC)	14# (CONC)	14# (ECC)	2205 Conc	2205 Ecc	SIZE	16# (CONC)	16# (ECC)	14# (CONC)	14# (ECC)
							150>125	60.00	70.00	72.00	84.00
12>6	9.00	-	-	-	-	-	150>100	66.00	73.00	80.00	88.00
12>9	9.00	-	-	-	-	-	150>76	70.00	76.00	84.00	92.00
18>12	9.00	35.00	-	-	-	-	150>63	76.00	83.00	92.00	100.00
25>18	9.00	30.00	-	-	-	-	150>50	76.00	83.00	92.00	100.00
25>12	9.00	35.00	-	-	-	-	150>38	83.00	92.00	100.00	111.00
31>25	9.00	20.00	25.00	42.00	55.00	66.00	150>25	90.00	100.00	108.00	120.00
31>18	18.00	35.00	-	-	-	-	200>150	165.00	182.00	198.00	219.00
31>12	20.00	35.00	-	-	-	-	200>125	185.00	204.00	222.00	245.00
38>31	9.00	20.00	25.00	42.00	55.00	66.00	200>100	185.00	204.00	222.00	245.00
38>25	9.00	20.00	25.00	42.00	55.00	66.00	200>76	205.00	226.00	246.00	272.00
38>18	18.00	35.00	-	-	-	-	200>63	225.00	248.00	270.00	298.00
38>12	20.00	35.00	-	-	-	-	200>50	225.00	248.00	270.00	298.00
50>38	9.00	20.00	25.00	42.00	55.00	66.00	250>200	-	-	240.00	264.00
50>31	10.00	25.00	40.00	48.00	60.00	72.00	250>150	-	-	280.00	308.00
50>25	10.00	25.00	40.00	48.00	60.00	72.00	250>100	-	-	320.00	352.00
50>18	25.00	50.00	-	-	-	-	300>250	-	-	280.00	308.00
50>12	27.00	50.00	-	-	-	-	300>200	-	-	320.00	352.00
63>50	13.00	22.00	33.00	46.00	65.00	78.00	300>150	-	-	360.00	396.00
63>38	15.00	25.00	44.00	53.00	70.00	84.00	300>100	-	-	400.00	440.00
63>31	25.00	-	-	-	-	-	350>300	-	-	320.00	352.00
63>25	25.00	28.00	50.00	60.00	-	-	350>250	-	-	360.00	396.00
76>63	18.00	28.00	40.00	48.00	75.00	90.00	350>200	-	-	400.00	440.00
76>50	18.00	28.00	40.00	48.00	75.00	90.00	350>150	-	-	440.00	484.00
76>38	29.00	32.00	45.00	54.00	-	-	400>350	-	-	380.00	418.00
76>25	31.00	36.00	50.00	60.00	-	-	400>300	-	-	440.00	484.00
89>76	24.00	-	-	-	-	-	400>250	-	-	500.00	550.00
100>89	26.00	-	-	-	-	-	400>200	-	-	560.00	616.00
100>76	26.00	49.00	45.00	54.00	95.00	114.00	450>400	-	-	460.00	506.00
100>63	30.00	53.00	50.00	60.00	115.00	138.00	450>350	-	-	520.00	572.00
100>50	30.00	53.00	50.00	60.00	115.00	138.00	450>300	-	-	530.00	638.00
100>38	44.00	57.00	55.00	66.00	-	-	450>250	-	-	640.00	704.00
100>25	48.00	60.00	60.00	72.00	-	-	500>450	-	-	540.00	594.00
125>100	50.00	68.00	60.00	82.00	-	-	500>400	-	-	600.00	660.00
125>76	52.00	72.00	63.00	87.00	-	-	500>350	-	-	660.00	726.00
125>63	57.00	78.00	69.00	94.00	-	-	500>300	-	-	720.00	792.00
125>50	57.00	78.00	69.00	94.00	-	-					
125>38	62.00	88.00	75.00	106.00	-	-					
125>25	67.00	96.00	81.00	116.00	-	-					
	(RC)	(RE)	(14RC)	(14RE)	(RC2205)	(RE2205)		(RC)	(RE)	(14RC)	(14RE)

NOTE: All reducers 200mm and over come UNPOLISHED as standard

PLAIN CLAMP

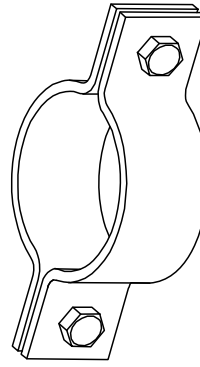
(CLP)



Material Grade: 304

SIZE	PRICE
18mm	7.00
25mm	6.00
31mm	7.00
38mm	6.50
50mm	7.50
63mm	9.00
76mm	10.00
100mm	12.00

DOUBLE BOLTED CLAMP



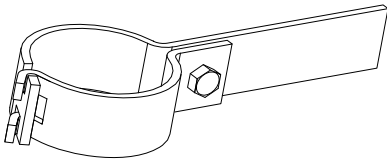
Material Grade: 304

SIZE	FOR TUBE H/DTY	TUBE H/DTY	FOR PIPE	PIPE H/DTY
12mm	6.00	-	9.00	-
18mm	9.00	-	9.00	-
25mm	9.00	-	9.00	-
31mm	9.00	-	9.00	-
38mm	9.00	-	10.00	-
50mm	10.00	28.00	12.00	30.00
63mm	12.00	30.00	13.00	30.00
76mm	13.00	30.00	15.00	32.00
100mm	15.00	35.00	18.00	38.00
125mm	18.00	40.00	22.50	45.00
150mm	18.00	40.00	22.50	45.00
200mm	40.00	-	60.00	-
250mm	60.00	-	90.00	-
300mm	80.00	-	120.00	-

Code (CLD) (CLDH) (CLDP) (CLDPH)

TANG CLAMP

(CLT)



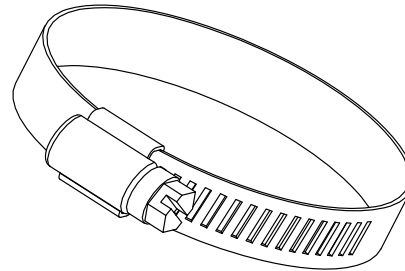
Material Grade: 304

SIZE	PRICE
18mm	7.50
25mm	6.50
31mm	7.50
38mm	7.00
50mm	8.50
63mm	10.00
76mm	11.00
100mm	13.00
*125mm	26.00
*150mm	26.00

*Double bolted Only

HOSE CLAMP

(CLHO)

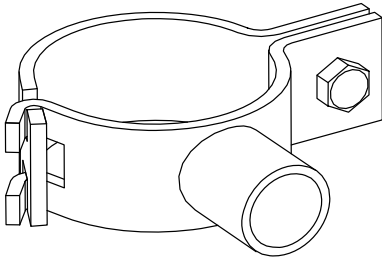


Material Grade: 304

SIZE	PRICE
12mm	4.00
18mm	4.00
25mm	4.00
31mm	4.00
38mm	4.50
50mm	4.50
63mm	5.00
76mm	6.00
100mm	6.00
125mm	9.00
150mm	9.00

BOSSED CLAMP

(CLB)



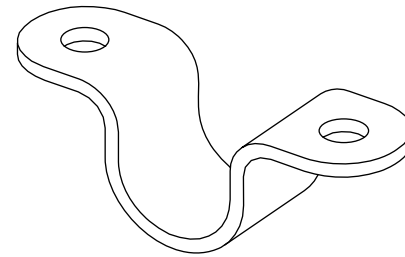
Material Grade: 304

SIZE	PRICE
18mm	10.00
25mm	9.00
31mm	10.00
38mm	9.50
50mm	10.50
63mm	12.50
76mm	13.50
100mm	15.00
*125mm	23.00
*150mm	23.00

*Double bolted Only

TUBE SADDLE

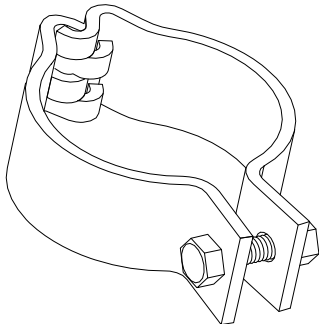
(CLS)



SIZE	PRICE
6mm	1.70
9mm	1.80
12mm	2.00
18mm	4.00
25mm	5.00
31mm	5.00
38mm	7.00
50mm	8.00
63mm	9.00
76mm	10.00
100mm	12.00
125mm	28.00
150mm	28.00

INTERLOCKING CLAMP

(CLI)

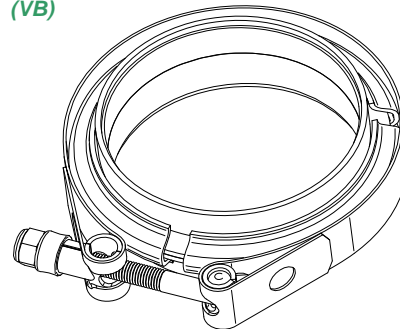


Material Grade: 304

SIZE	PRICE
18mm	6.00
25mm	6.50
31mm	7.50
38mm	7.00
50mm	8.00
63mm	9.50
76mm	10.50
100mm	12.50

V BAND CLAMP SETS

(VB)

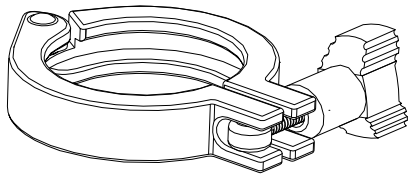


Material: 304

SIZE	PRICE
63mm	53.00
76mm	60.00
89mm	70.00
100mm	86.00

FERRULE CLAMP

(FECL)

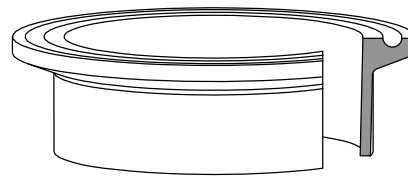


Material Grade: 304

SIZE	PRICE
12mm	5.50
18mm	5.50
25mm	8.00
31mm	8.00
38mm	8.00
50mm	9.00
63mm	10.50
76mm	11.50
100mm	15.50
125mm	30.00
150mm	33.50
200mm	43.00
250mm	185.00
300mm	365.00

STANDARD 2205 FERRULES

(2205F)

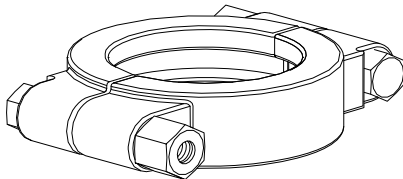


Material Grade: 2205 Duplex

SIZE	PRICE
25mm	18.00
31mm	18.00
38mm	18.00
50mm	24.00
63mm	30.00
76mm	35.00
100mm	48.00

H/DUTY FERRULE CLAMP

(FECH)

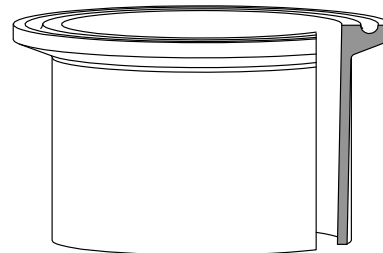


Material Grade: 304

SIZE	PRICE
12mm	20.00
18mm	20.00
25mm	22.00
31mm	22.00
38mm	22.00
50mm	28.00
63mm	31.00
76mm	34.00
100mm	40.00
125mm	70.00
150mm	74.00
200mm	90.00

FERRULE EXTENDED LEG

(FEE)



Material Grade: 316

SIZE	PRICE
12mm	12.00
18mm	12.00
25mm	21.00
31mm	21.00
38mm	21.00
50mm	23.00
63mm	27.00
76mm	33.00
100mm	46.00

STANDARD FERRULE

(FE)



Material Grade: 316

NOTE: Reducing Ferrules now on Page 21

SIZE	PRICE
12mm	6.50
18mm	6.50
25mm	5.50
31mm	5.50
38mm	5.50
50mm	6.50
63mm	9.00
76mm	12.00
100mm	16.00
125mm	60.00
150mm	73.00
200mm	99.00
250mm	115.00
300mm	130.00

FERRULE CAP

(FEC)

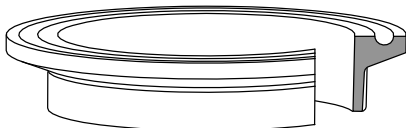


Material Grade: 316

SIZE	PRICE
12mm	5.00
18mm	5.00
25mm	5.00
31mm	5.00
38mm	5.00
50mm	7.00
63mm	10.00
76mm	13.50
100mm	27.50
125mm	75.00
150mm	90.00
200mm	145.00
250mm	185.00
300mm	275.00

SHORT FERRULE

(FES)



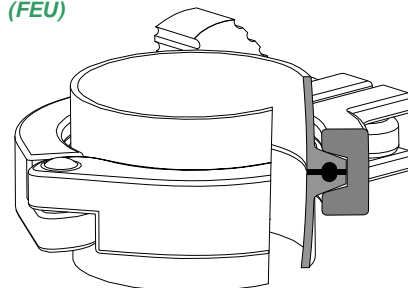
Material Grade: 316

NOTE: Reducing Ferrules now on Page 21

SIZE	PRICE
25mm	5.50
38mm	5.50
50mm	6.50
63mm	9.00
76mm	12.00
100mm	16.00

FERRULE UNION C/W EPDM SEAL

(FEU)



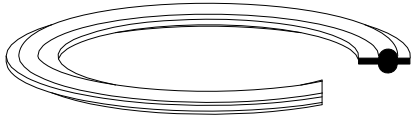
SIZE	PRICE
12mm	19.80
18mm	19.80
25mm	20.20
31mm	20.20
38mm	20.20
50mm	23.50
63mm	30.50
76mm	37.90
100mm	50.00
125mm	160.00
150mm	191.50
200mm	266.00
250mm	445.00
300mm	659.00

FERRULE EPDM SEAL

(FE1) (FE2)

SIZE	(1)	(200)
12mm	1.30	1.00
18mm	1.30	1.00
25mm	1.20	0.90
31mm	1.20	0.90
38mm	1.20	0.90
50mm	1.50	1.00
63mm	2.00	1.50
76mm	2.40	1.80
100mm	2.50	2.00
*125mm	10.00	7.00
*150mm	12.00	8.00
*200mm	25.00	18.00
*250mm	30.00	-
*300mm	34.00	-

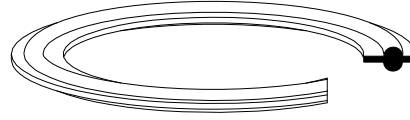
* Flanged



FERRULE VITON SEAL

(FEV1) (FEV2)

SIZE	PRICE	(25)
12mm	6.50	5.00
18mm	6.50	5.00
25mm	8.50	6.50
31mm	9.00	7.00
38mm	8.00	6.00
50mm	9.00	7.00
63mm	11.00	8.50
76mm	13.00	10.00
100mm	15.00	11.50
*150mm	50.00	37.50

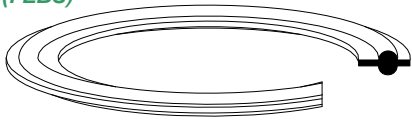


*150mm: Flanged

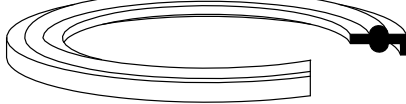
FERRULE BUNA SEAL

(FEBS)

SIZE	STD	FLGD
12mm	5.00	-
18mm	6.50	-
25mm	3.00	3.50
31mm	6.00	7.00
38mm	3.00	3.50
50mm	4.00	4.50
63mm	4.50	6.00
76mm	5.00	7.50
100mm	6.50	10.00
150mm	-	30.00
200mm	-	50.00



(FEBF)

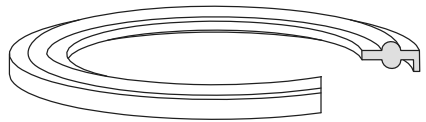
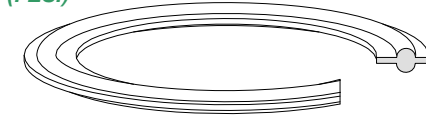


FERRULE SILICONE SEAL

(FESS)

(FESI)

SIZE	STD	FLNG
12mm	3.00	-
18mm	3.00	-
25mm	3.00	5.00
31mm	5.00	8.00
38mm	3.00	5.00
50mm	3.50	5.50
63mm	4.00	6.00
76mm	5.00	8.00
100mm	6.00	10.00
150mm	-	15.00



FERRULE TEFLON SEAL

(FETS) (FETE)

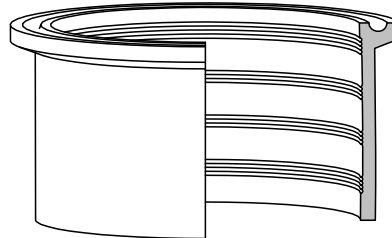
SIZE	Solid	Env
12mm	6.00	-
18mm	6.50	-
25mm	10.00	13.00
31mm	12.00	-
38mm	10.00	11.00
50mm	10.00	13.00
63mm	11.00	17.00
76mm	12.00	19.00
100mm	20.00	36.00
150mm	65.00	-
200mm	178.00	-



EXPANDON FERRULE

(FEXP)

SIZE	PRICE
25mm	6.00
38mm	7.00
50mm	10.00
63mm	13.00
76mm	16.00
100mm	23.00

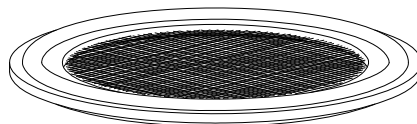


FERRULE SCREEN GASKET

(FESG)

(FESGT)

SIZE	EPDM	PTFE
38mm	50.00	52.00
50mm	55.00	58.00
63mm	65.00	68.00
76mm	70.00	74.00
100mm	80.00	85.00

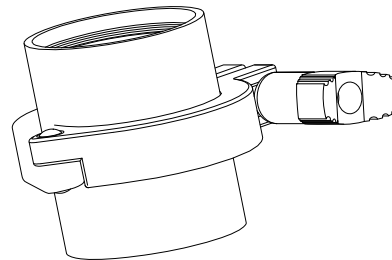


Available in 20,40,60,80
& 100 mesh

EXPANDON FERRULE UNIONS

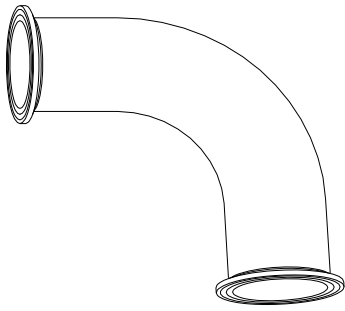
(FEXPU)

SIZE	PRICE
25mm	21.30
38mm	23.20
50mm	30.50
63mm	38.50
76mm	45.90
100mm	64.00



FERRULE 90° BENDS

(FEB)

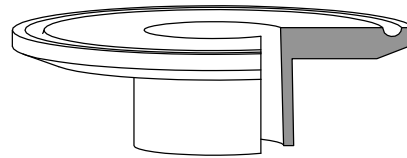


SIZE	PRICE
12mm	69.00
18mm	71.00
25mm	70.00
31mm	83.00
38mm	85.00
50mm	92.00
63mm	127.00
76mm	141.00
100mm	193.00

Material Grade: 316

REDUCING FERRULE

(FER)

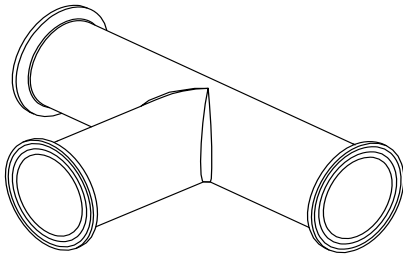


SIZE	PRICE
25mm	40.00
31mm	40.00
38mm	40.00
50mm	45.00
63mm	60.00
76mm	70.00
100mm	80.00

Material Grade: 316

FERRULE TEES

(FET)

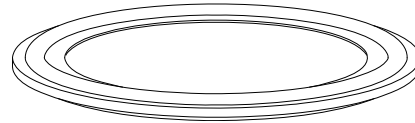


SIZE	PRICE
12mm	177.50
18mm	177.50
25mm	174.50
31mm	199.50
38mm	199.50
50mm	208.50
63mm	258.00
76mm	280.00
100mm	381.00

Material Grade: 316

FERRULE EPDM ORIFICE PLATE

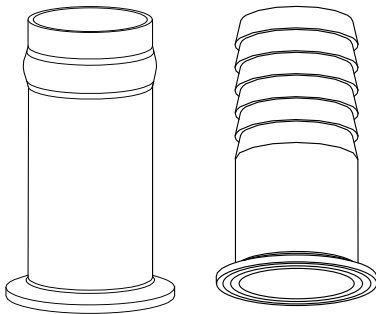
(FEOP)



SIZE	PRICE
38mm	45.00
50mm	50.00

FERRULE HOSETAILS

(FEH1) (FEH2)



SIZE	Rolled	Barbed
12mm	-	40.00
18mm	-	40.00
25mm	66.50	68.50
31mm	74.50	77.50
38mm	74.50	79.50
50mm	76.50	84.50
63mm	93.00	109.00
76mm	98.00	127.00
100mm	129.00	181.00

(304) (316)

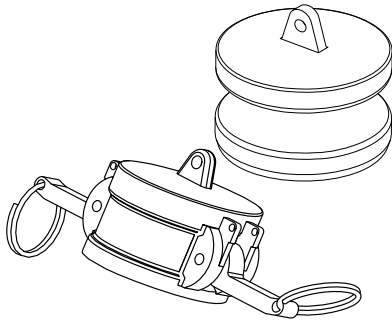
POLYCARBONATE FERRULE LENS

(FEL)



SIZE	PRICE
25mm	30.00
31mm	30.00
38mm	30.00
50mm	35.00
63mm	38.00
76mm	40.00
100mm	45.00
150mm	90.00
200mm	145.00

CAMLOCK PLUGS & CAPS

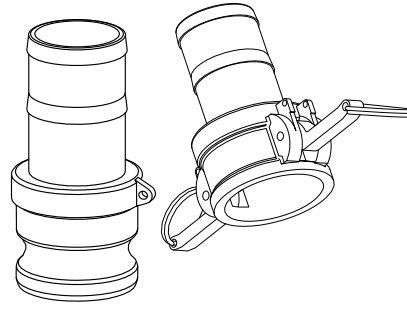


Material Grade: 316

SIZE	CAP	PLUG
12mm	12.00	7.50
18mm	12.00	7.50
25mm	15.00	11.50
31mm	22.50	14.00
38mm	24.50	19.00
50mm	32.00	23.00
63mm	43.50	34.00
76mm	84.50	60.00
100mm	112.50	103.00
150mm	240.00	206.00

(CAMDC) (CAMDP)

CAMLOCK HOSETAILS



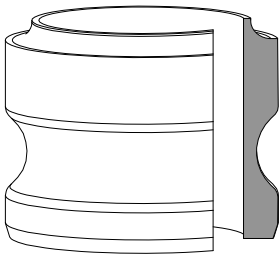
Material Grade: 316

SIZE	MALE	FEMALE
12mm	10.00	14.00
18mm	11.50	14.00
25mm	13.50	16.00
31mm	19.50	23.50
38mm	26.50	28.00
50mm	35.50	37.50
63mm	71.50	51.50
76mm	98.50	71.50
100mm	150.00	108.00
150mm	258.00	375.00

(CAME) (CAMC)

MALE CAMLOCK B/W

(CAM)

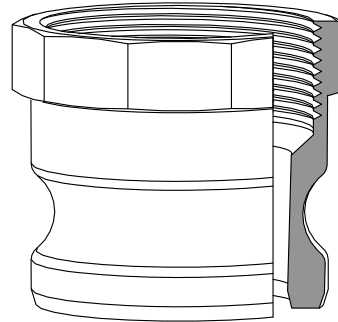


Material Grade: 316

SIZE	PRICE
25mm	38.00
38mm	45.00
50mm	55.00
63mm	70.00
76mm	90.00
100mm	135.00

MALE CAMLOCK > FEMALE BSP

(CAMA)

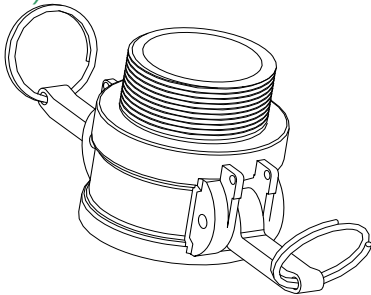


Material Grade: 316

SIZE	PRICE
12mm	9.00
18mm	9.00
25mm	11.50
31mm	15.50
38mm	19.00
50mm	25.00
63mm	52.50
76mm	66.00
100mm	75.00
150mm	206.00

FEMALE CAMLOCK > MALE BSP

(CAMB)

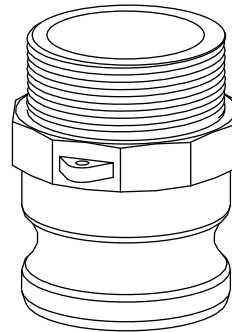


Material Grade: 316

SIZE	PRICE
12mm	12.50
18mm	14.00
25mm	18.00
31mm	30.00
38mm	32.00
50mm	38.50
63mm	65.50
76mm	84.50
100mm	105.00
150mm	304.00

MALE CAMLOCK > MALE BSP

(CAMF)

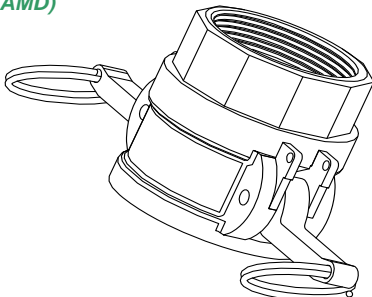


Material Grade: 316

SIZE	PRICE
12mm	13.00
18mm	14.00
25mm	18.00
31mm	23.00
38mm	28.00
50mm	38.00
63mm	55.50
76mm	69.50
100mm	104.50
150mm	320.50

FEMALE CAMLOCK > FEMALE BSP

(CAMD)

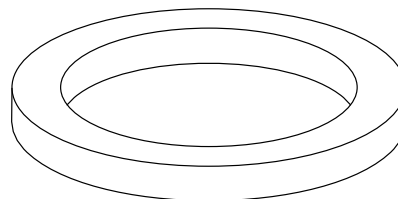


Material Grade: 316

SIZE	PRICE
12mm	13.50
18mm	13.50
25mm	18.00
31mm	24.50
38mm	31.00
50mm	38.50
63mm	60.00
76mm	74.50
100mm	112.50
150mm	345.00

CAMLOCK BUNA GASKET

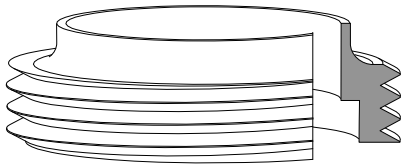
(CAMG)



SIZE	PRICE
12mm	1.50
18mm	1.50
25mm	1.50
31mm	2.00
38mm	2.00
50mm	2.00
63mm	2.50
76mm	3.00
100mm	4.00
150mm	8.00

WINE MALE PART

(WM)

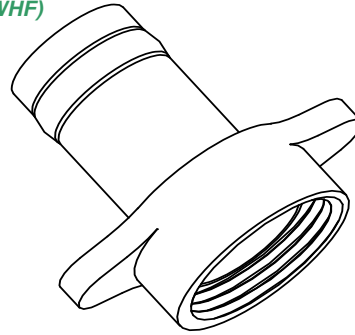


SIZE	PRICE
25mm	14.00
38mm	15.00
50mm	16.00
63mm	22.00
76mm	25.00
100mm	44.00

Material Grade: 316

WINE HOSETAIL FEMALE

(WHF)

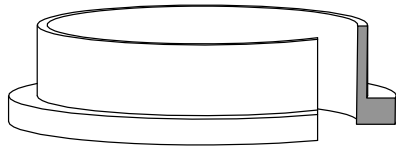


SIZE	PRICE
25mm	94.00
38mm	106.00
50mm	124.00
63mm	154.00
76mm	167.00
100mm	236.00

*With Brass Nut
as Standard

WINE LINER SLIP ON

(WLS)

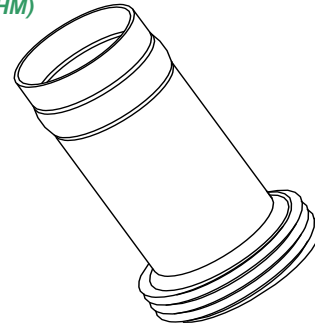


SIZE	PRICE
25mm	10.00
38mm	11.00
50mm	12.00
63mm	18.00
76mm	20.00
100mm	32.00

Material Grade: 316

WINE HOSETAIL MALE

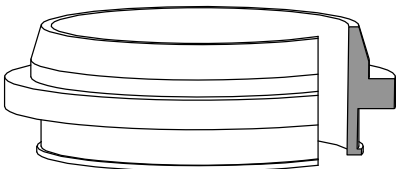
(WHM)



SIZE	PRICE
25mm	65.00
38mm	72.00
50mm	74.00
63mm	92.00
76mm	97.00
100mm	138.00

WINE LINER B/W

(WLBW)

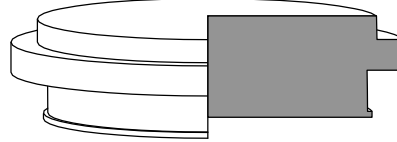


SIZE	PRICE
38mm	12.00
50mm	13.00
76mm	26.00
100mm	40.00

Material Grade: 316

WINE BLANK CAP

(WBC)

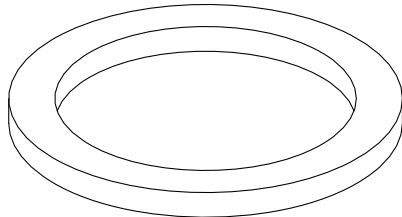


SIZE	PRICE
25mm	30.00
38mm	36.00
50mm	42.00
63mm	50.00
76mm	60.00
100mm	70.00

Material Grade: 316

WINE EPDM SEAL

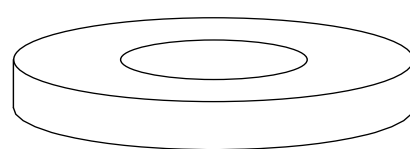
(WS)



SIZE	PRICE
25mm	2.50
38mm	2.50
50mm	2.75
63mm	3.00
76mm	3.00
100mm	6.00

WINE MALE PROTECTOR

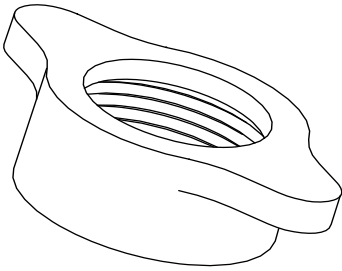
(WMP)



SIZE	PRICE
25mm	9.00
38mm	10.00
50mm	12.00
63mm	14.00
76mm	15.00
100mm	19.00

WINE BRASS NUT

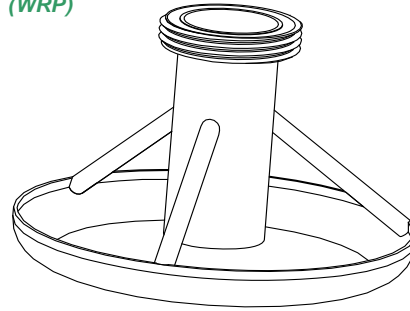
(WBN)



SIZE	PRICE
25mm	33.00
38mm	38.00
50mm	54.00
63mm	66.00
76mm	75.00
100mm	110.00

RACKING PLATES

(WRP)

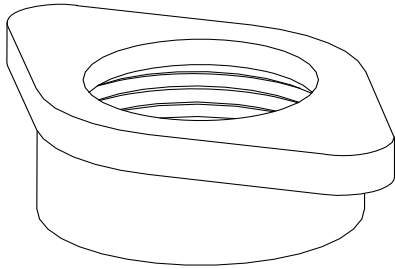


SIZE	PRICE
50mm	225.00

Material Grade: 316

WINE S/S WING NUT

(WVN)

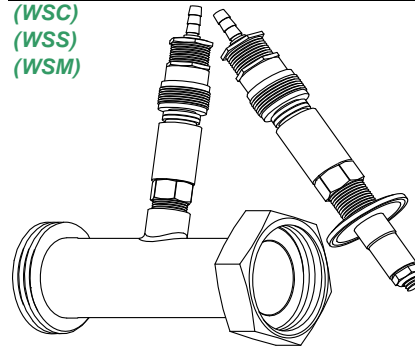


SIZE	PRICE
50mm	56.00
76mm	77.00
100mm	112.00

Material Grade: 304

SPARGERS

(WSC)
(WSS)
(WSM)



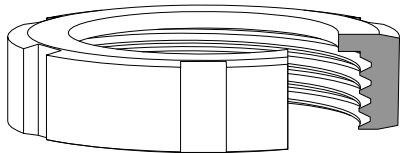
Part	PRICE
Complete	390.00
Sparger only	275.00
Manifold only	115.00

Spargers available with
[BSP or Ferrule connections](#)

Material Grade: 316

WINE S/S SLOTTED NUT

(WSN)

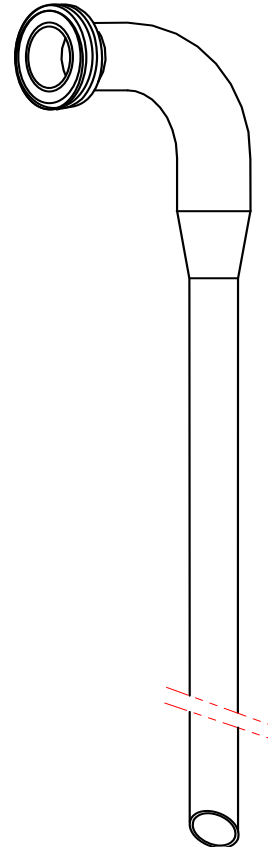


SIZE	PRICE
50mm	56.00
76mm	77.00
100mm	112.00

Material Grade: 304

BARREL SPEARS

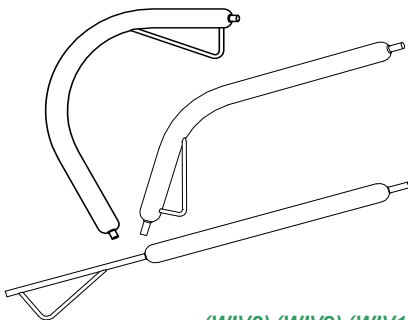
(WBS)



SIZE	PRICE
38mm	150.00
50mm	175.00

Material Grade: 316

VALENCHES



TYPE	PRICE
STRAIGHT	130.00

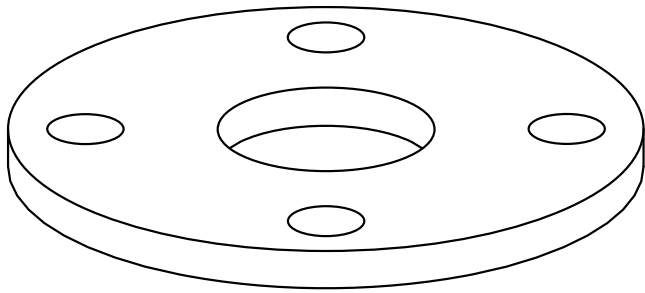
SIZE	PRICE
CURVED	145.00

SIZE	PRICE
EX CURVED	200.00

Material Grade: 316

(WIV3) (WIV2) (WIV1)

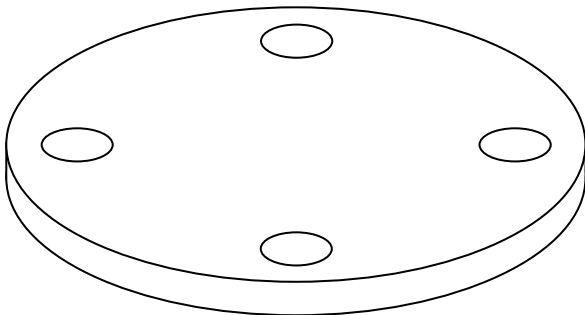
S/S TABLE FLANGES TO SUIT TUBE OR PIPE



(FLD4) (FLD6) (FLE4) (FLE6) (FLH6)

SIZE	TD 304	TD 316	TE 304	TE 316	TH 316
12mm	-	-	21.00	22.50	40.00
18mm	-	-	21.50	23.50	40.00
25mm	-	-	22.50	27.00	45.00
31mm	-	-	25.00	29.50	60.00
38mm	26.00	31.00	27.00	34.50	60.00
50mm	32.00	35.50	37.00	42.00	80.00
63mm	34.50	41.00	41.50	47.00	120.00
76mm	43.50	53.50	46.50	62.50	165.00
100mm	48.50	63.00	59.00	78.50	200.00
125mm	87.50	110.50	100.50	121.00	300.00
150mm	100.00	132.50	128.00	157.50	350.00
200mm	129.50	169.50	192.00	249.00	POA
250mm	251.50	297.50	342.50	434.00	POA
300mm	361.50	447.00	453.50	547.50	POA

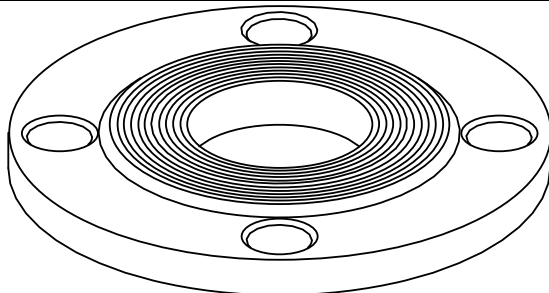
S/S BLIND TABLE FLANGES



(FLBD4) (FLBD6) (FLBE4) (FLBE6)

SIZE	TD 304	TD 316	TE 304	TE 316
12mm	-	-	24.00	26.00
18mm	-	-	24.50	27.50
25mm	-	-	26.00	29.50
31mm	-	-	27.50	33.00
38mm	27.00	33.00	31.00	37.00
50mm	33.00	40.00	41.00	46.50
63mm	37.00	45.00	46.50	53.50
76mm	44.00	59.50	57.00	69.00
100mm	55.50	81.50	72.50	95.50
125mm	92.50	137.50	119.50	154.00
150mm	108.50	156.50	147.00	194.00
200mm	158.00	227.00	251.50	309.50
250mm	296.00	401.50	398.00	512.00
300mm	436.00	613.50	512.00	732.50

S/S DIN & ANSI FLANGES 316

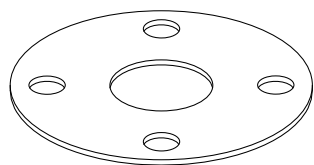


(FLDIN) (FLANSI) (FLDINP) (FLANSIP)

SIZE	TO SUIT TUBE		TO SUIT PIPE	
	DIN 16	ANSI 150	DIN 16	ANSI 150
12mm	18.00	18.00	13.00	8.00
18mm	23.00	20.00	17.00	11.00
25mm	35.00	30.00	20.00	15.00
31mm	50.00	35.00	34.00	20.00
38mm	58.00	40.00	38.00	26.00
50mm	68.00	55.00	50.00	40.00
63mm	75.00	75.00	58.00	60.00
76mm	110.00	100.00	62.00	70.00
100mm	120.00	130.00	76.00	96.00
125mm	145.00	145.00	92.00	112.00
150mm	165.00	165.00	123.00	140.00
200mm	200.00	200.00	N/A	N/A

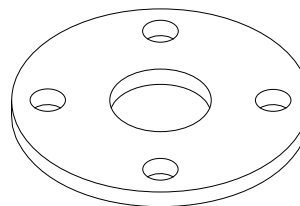
FLANGE GASKETS (suit tube)

*TD/TE-INSERTION RUBBER
* DIN / ANSI - EPDM



SIZE	TD/TE (FLG1)	DIN (FLG2)	ANSI (FLG3)
12mm	1.00	2.50	2.50
18mm	1.00	2.50	2.50
25mm	1.50	3.00	3.00
31mm	1.50	3.50	3.50
38mm	2.00	4.00	4.00
50mm	2.50	5.00	5.00
63mm	3.00	6.00	6.00
76mm	4.00	7.50	7.50
100mm	5.00	8.00	8.00
125mm	6.00	15.00	15.00
150mm	8.00	16.00	16.00
200mm	10.00	-	-
250mm	15.00	-	-
300mm	20.00	-	-

GALV. BACKING FLANGES

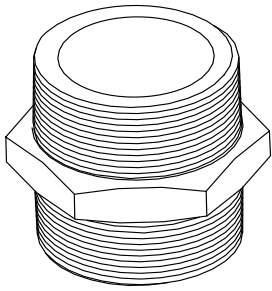


(FLGD) (FLGE)

SIZE	TD	TE	ANSI150
25mm	9.00	-	12.00
31mm	9.00	-	12.00
38mm	9.00	-	12.00
50mm	12.00	-	16.00
63mm	14.00	-	18.00
76mm	16.00	-	21.00
100mm	21.00	24.00	28.00
125mm	-	30.00	38.00
150mm	-	34.00	44.00
200mm	-	45.00	58.00
250mm	62.00	65.00	78.00
300mm	-	97.00	112.00
350mm	-	143.00	170.00
400mm	-	190.00	241.00
450mm	214.00	218.00	281.00
500mm	-	328.00	421.00
600mm	-	446.00	595.00

BSP HEX NIPPLE

(BPNH)

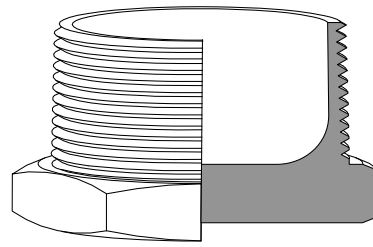


Material Grade: 316

SIZE	PRICE
3mm	1.00
6mm	1.50
9mm	2.00
12mm	2.50
18mm	3.50
25mm	5.00
31mm	7.00
38mm	10.00
50mm	14.00
63mm	30.00
76mm	36.00
100mm	50.00

BSP PLUG

(BPP)

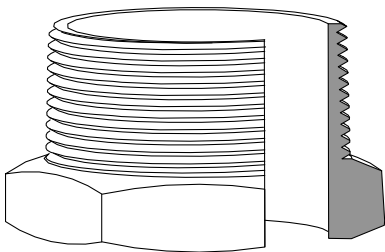


Material Grade: 316

SIZE	PRICE
3mm	2.00
6mm	2.50
9mm	3.00
12mm	3.50
18mm	4.00
25mm	6.00
31mm	10.00
38mm	11.00
50mm	15.00
63mm	28.00
76mm	35.00
100mm	70.00

BSP HALF HEX NIPPLE

(BPHHN)

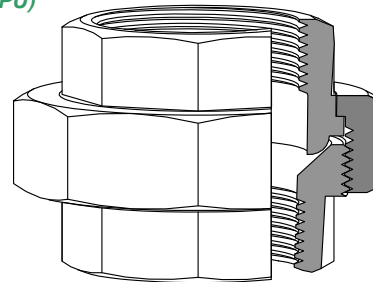


Material Grade: 316

SIZE	PRICE
12mm	10.00
18mm	11.00
25mm	13.00
31mm	15.00
38mm	18.00
50mm	20.00
63mm	25.00
76mm	30.00
100mm	40.00

BSP UNION

(BPU)

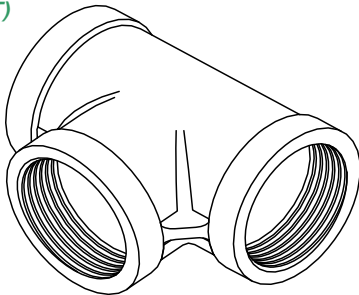


Material Grade: 316

SIZE	PRICE
3mm	8.00
6mm	8.00
9mm	10.50
12mm	11.00
18mm	13.50
25mm	20.00
31mm	36.00
38mm	40.00
50mm	56.00
63mm	100.00
76mm	136.00
100mm	200.00

BSP FEMALE TEE

(BPT)

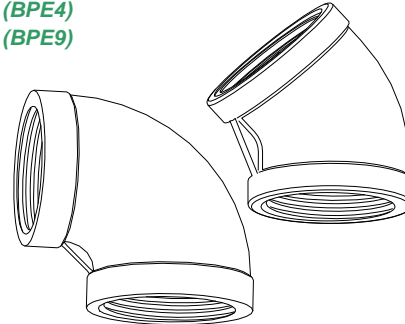


Material Grade: 316

SIZE	PRICE
3mm	4.00
6mm	4.00
9mm	4.75
12mm	6.00
18mm	8.50
25mm	14.50
31mm	19.00
38mm	27.50
50mm	37.50
63mm	80.00
76mm	100.00
100mm	180.00

BSP ELBOW FEMALE

(BPE4)
(BPE9)

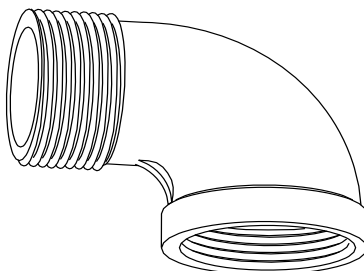


Material Grade: 316

SIZE	45°	90°
3mm	-	4.00
6mm	5.00	4.00
9mm	5.00	4.00
12mm	6.00	4.50
18mm	7.00	6.00
25mm	12.00	11.00
31mm	15.50	14.00
38mm	22.00	20.00
50mm	30.00	28.00
63mm	-	60.00
76mm	-	80.00
100mm	-	115.00

BSP 90° M/F ELBOWS

(BPEMF)

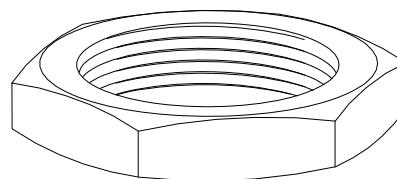


Material Grade: 316

SIZE	PRICE
3mm	5.00
6mm	5.00
9mm	5.00
12mm	5.00
18mm	8.00
25mm	12.00
31mm	16.00
38mm	22.00
50mm	32.00

BSP LOCK NUT

(BPN)

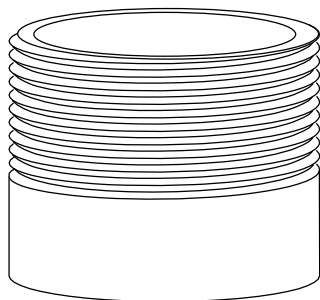


Material Grade: 316

SIZE	PRICE
3mm	2.00
6mm	2.10
9mm	2.20
12mm	3.00
18mm	3.50
25mm	5.00
31mm	6.00
38mm	6.25
50mm	10.00
63mm	18.00
76mm	28.00
100mm	32.00

BSP TOE NIPPLE

(BPNT)

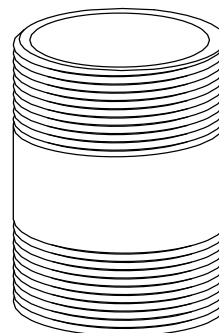


Material Grade: 316

SIZE	PRICE
3mm	2.00
6mm	2.00
9mm	2.25
12mm	2.25
18mm	3.00
25mm	4.50
31mm	7.00
38mm	8.50
50mm	11.50
63mm	21.00
76mm	31.50
100mm	47.00
125mm	120.00
150mm	120.00

BSP BARREL NIPPLE

(BPNB)

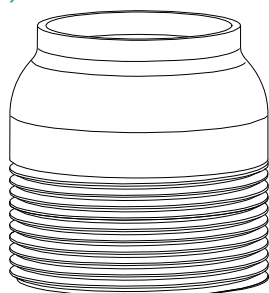


Material Grade: 316

SIZE	PRICE
3mm	5.00
6mm	5.00
9mm	3.50
12mm	3.50
18mm	4.50
25mm	6.00
31mm	9.50
38mm	11.50
50mm	15.00
63mm	27.00
76mm	40.00
100mm	65.00
125mm	195.00
150mm	205.00

BSP TOE NIPPLE TUBE

(BPTTN)



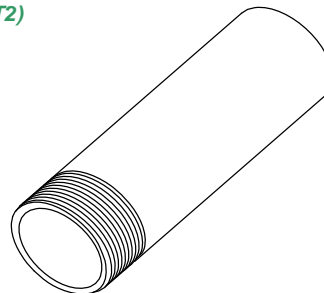
Material Grade: 316

SIZE	PRICE
12mm	10.00
18mm	11.00
25mm	12.00
31mm	15.00
38mm	17.00
50mm	20.00
63mm	45.00
76mm	50.00
100mm	75.00

BSP EXTENDED TOE NIPPLE

(BPT1)

(BPT2)



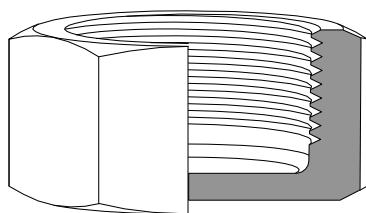
Material Grade: 316

SIZE	100 mm	150 mm
6mm	10.00	12.00
9mm	10.00	12.00
12mm	12.00	14.00
18mm	14.00	16.00
25mm	15.00	18.00
31mm	18.00	22.00
38mm	20.00	24.00
50mm	25.00	30.00

Available in 100mm & 150mm lengths.

BSP HEX CAP

(BPCH)



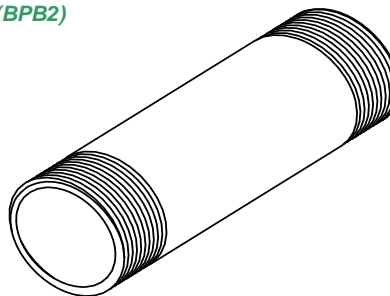
Material Grade: 316

SIZE	PRICE
3mm	2.50
6mm	2.50
9mm	3.00
12mm	4.00
18mm	5.00
25mm	8.00
31mm	11.00
38mm	14.00
50mm	18.00
63mm	23.00
76mm	26.00
100mm	38.00

BSP EXTENDED BARREL NIPPLE

(BPB1)

(BPB2)



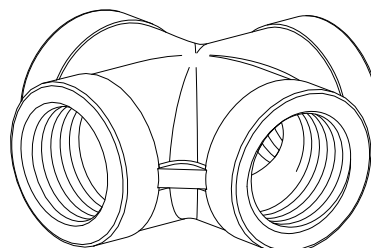
Material Grade: 316

SIZE	100 mm	150 mm
6mm	12.00	14.00
9mm	12.00	14.00
12mm	14.50	16.50
18mm	17.00	19.00
25mm	18.00	21.00
31mm	21.50	25.50
38mm	24.00	28.00
50mm	30.00	35.00

Available in 100mm & 150mm lengths.

BSP CROSS

(BPC)

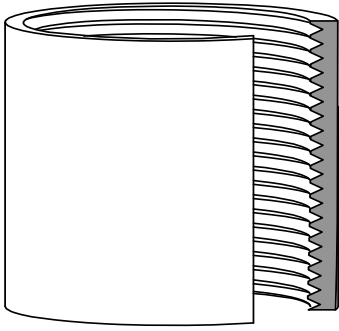


Material Grade: 316

SIZE	PRICE
12mm	7.00
18mm	10.00
25mm	16.00
31mm	22.00
38mm	30.00
50mm	40.00

BSP SOCKET

(BPS)

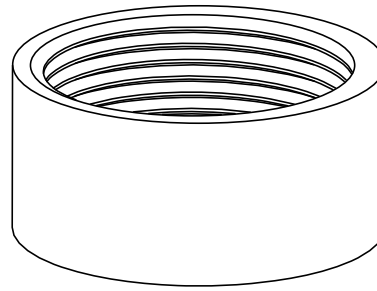


Material Grade: 316

SIZE	PRICE
3mm	1.00
6mm	1.10
9mm	1.25
12mm	2.00
18mm	3.00
25mm	4.00
31mm	6.00
38mm	7.00
50mm	10.00
63mm	15.00
76mm	20.00
100mm	35.00
125mm	200.00
150mm	270.00

BSP HALF SOCKET

(BPHS)

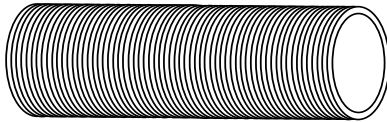


Material Grade: 316

SIZE	PRICE
6mm	0.90
9mm	1.00
12mm	1.50
18mm	2.50
25mm	3.00
31mm	5.00
38mm	5.50
50mm	8.00
63mm	12.00
76mm	16.00
100mm	28.00
125mm	160.00
150mm	215.00

BSP PARALLEL THREAD 150mm LONG

(BP150)

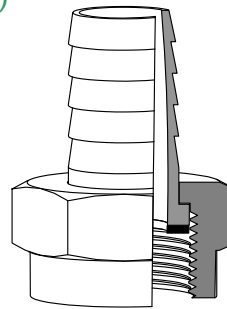


Material Grade: 316

SIZE	PRICE
6mm	12.50
9mm	14.00
12mm	15.00
18mm	20.00
25mm	25.00
31mm	28.00
38mm	35.00
50mm	40.00
63mm	55.00
76mm	60.00
100mm	80.00

BSP FEMALE (swivel) HOSETAIL

(BPHFS)

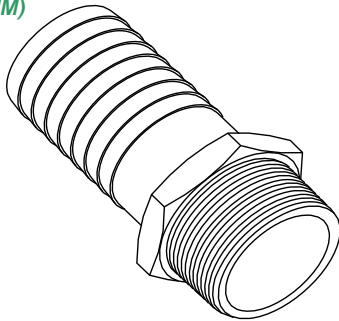


Material Grade: 316

SIZE	PRICE
6mm	14.00
9mm	17.00
12mm	23.00
18mm	28.00
25mm	35.00
31mm	50.00
38mm	65.00
50mm	120.00

BSP HOSETAIL MALE

(BPHM)



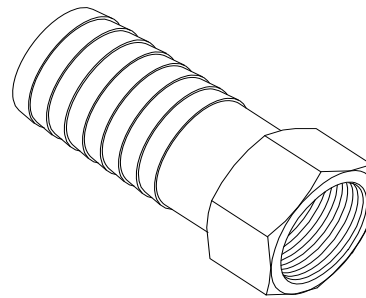
Material Grade: 316

SIZE	Mach	Cast
6mm	10.00	1.10
9mm	11.00	1.60
12mm	13.00	2.00
18mm	16.00	3.50
25mm	23.00	5.50
31mm	-	8.00
38mm	-	11.00
50mm	-	16.00
63mm	-	26.00
76mm	-	37.00
100mm	-	53.00

Reducing sizes only available in machined style

BSP FEMALE (FIXED) HOSETAIL

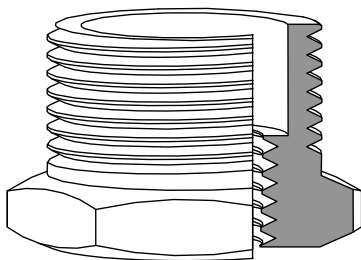
(BPHFF)



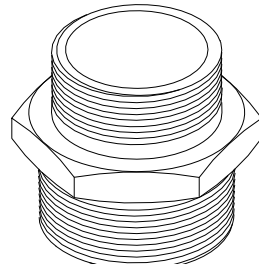
Material Grade: 316

SIZE	PRICE
38mm	36.00
50mm	44.00
63mm	64.00
76mm	76.00
100mm	100.00

BSP REDUCING FITTINGS

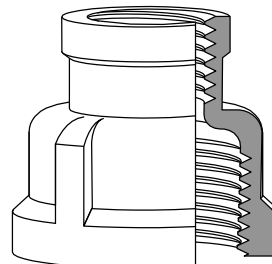


(BPRB)



Material Grade: 316

(BPRN)

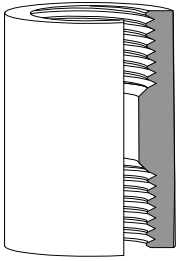


(BPRS)

SIZE	Red Bush	Red Nipple	Red Socket
6>3	3.00	4.00	4.50
9>6,3	3.00	5.00	5.00
12>9,6,3	3.50	5.50	8.00
18>12,9,6	5.50	7.20	9.50
25>18,12	7.00	10.00	12.80
31>25	12.00	14.00	17.20
38>31,25	15.00	20.00	29.50
50>38>31>25	25.00	25.00	40.00
63>50	36.00	42.00	55.00
76>63,50	44.00	65.00	95.00
100>76,63,50	76.50	100.00	135.00

BSP 3000lb Full Coupling

0

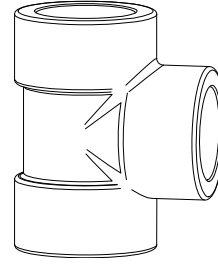


SIZE	PRICE
12mm	
18mm	
25mm	
31mm	
38mm	
50mm	

Material Grade: 316

BSP 3000lb FEMALE TEE

0

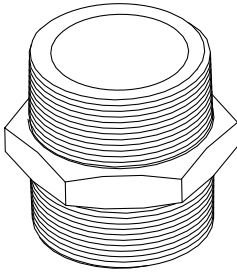


SIZE	PRICE
12mm	
18mm	
25mm	
31mm	
38mm	
50mm	

Material Grade: 316

BSP 3000lb HEX NIPPLE

0

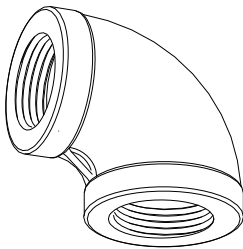


SIZE	PRICE
12mm	
18mm	
25mm	
31mm	
38mm	
50mm	

Material Grade: 316

BSP 3000lb 90° F/F ELBOW

0

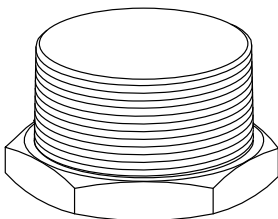


12mm
18mm
25mm
31mm
38mm
50mm

Material Grade: 316

BSP 3000lb HEX PLUG

0

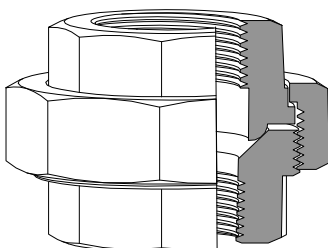


SIZE	PRICE
12mm	
18mm	
25mm	
31mm	
38mm	
50mm	

Material Grade: 316

BSP 3000lb F/F UNION

0

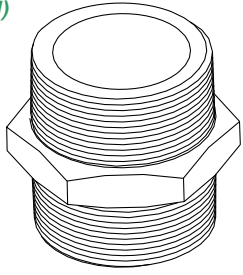


SIZE	PRICE
12mm	
18mm	
25mm	
31mm	
38mm	
50mm	

Material Grade: 316

NPT HEX NIPPLE

(NPHN)

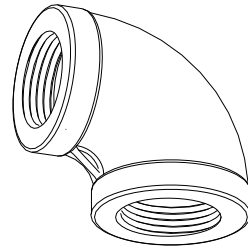


SIZE	PRICE
6mm	8.00
9mm	11.00
12mm	13.00
18mm	18.00
25mm	28.00
31mm	48.00
38mm	62.00
50mm	120.00

Material Grade: 316

NPT 90° F/F ELBOW

(NPE)

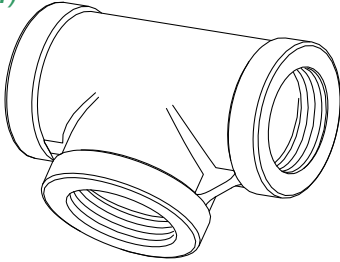


SIZE	PRICE
6mm	20.00
9mm	20.00
12mm	21.00
18mm	37.00
25mm	50.00
31mm	78.00
38mm	120.00
50mm	160.00

Material Grade: 316

NPT FEMALE TEE

(NPT)

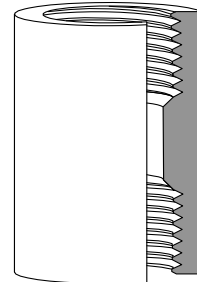


SIZE	PRICE
6mm	26.00
9mm	26.00
12mm	28.00
18mm	55.00
25mm	82.00
31mm	150.00
38mm	170.00
50mm	222.00

Material Grade: 316

NPT FULL/HALF COUPLING

(NPFC)
(NPHC)

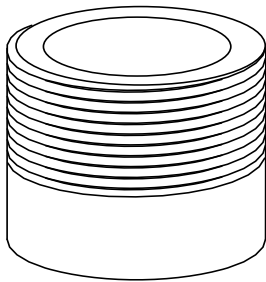


SIZE	Full	Half
3mm	4.00	-
6mm	4.00	3.00
9mm	5.00	4.00
12mm	7.00	5.50
18mm	9.00	7.00
25mm	16.00	13.00
31mm	30.00	24.00
38mm	38.00	30.00
50mm	52.00	42.00
63mm	28.00	150 lb
76mm	40.00	150 lb
100mm	64.00	150 lb

Material Grade: 316

NPT TOE NIPPLE

(NPNT)

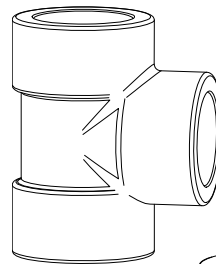


SIZE	Wall	PRICE
6mm	Sch80	10.00
9mm	Sch80	10.00
12mm	Sch80	12.00
18mm	Sch80	14.00
25mm	Sch80	16.00
31mm	Sch80	20.00
38mm	Sch80	22.00
50mm	Sch80	28.00
63mm	Sch40	34.00
76mm	Sch40	38.00
100mm	Sch40	55.00
150mm	Sch40	160.00

Material Grade: 316

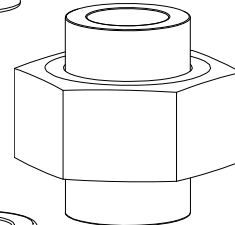
SOCKET WELD FITTINGS

EQUAL TEES



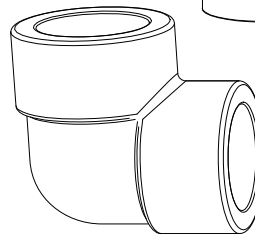
SIZE (SWT)	PRICE
12mm	21.00
18mm	27.00
25mm	39.00
31mm	80.00
38mm	105.00
50mm	150.00

90° ELBOWS



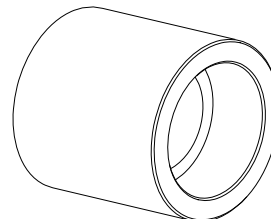
SIZE (SWE)	PRICE
12mm	16.00
18mm	21.00
25mm	28.00
31mm	60.00
38mm	80.00
50mm	120.00

UNIONS



SIZE (SWU)	PRICE
12mm	35.00
18mm	43.00
25mm	72.00
31mm	105.00
38mm	135.00
50mm	190.00

COUPLINGS

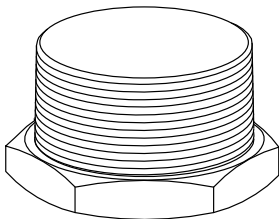


SIZE (SWC)	PRICE
12mm	11.00
18mm	16.00
25mm	21.00
31mm	40.00
38mm	52.00
50mm	75.00

Material: 316 SS

NPT HEX PLUG

(NPP)

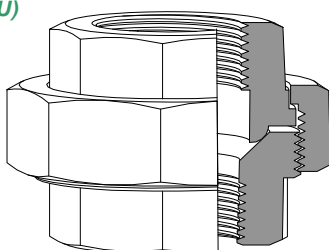


SIZE	PRICE
6mm	5.00
9mm	6.00
12mm	8.00
18mm	15.00
25mm	20.00
31mm	35.00
38mm	40.00
50mm	60.00

Material Grade: 316

NPT UNION

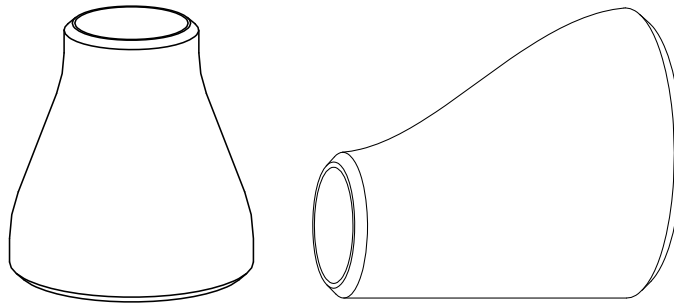
(NPU)



SIZE	PRICE
6mm	31.00
9mm	31.00
12mm	31.00
18mm	36.00
25mm	54.00
31mm	125.00
38mm	150.00
50mm	218.00

Material Grade: 316

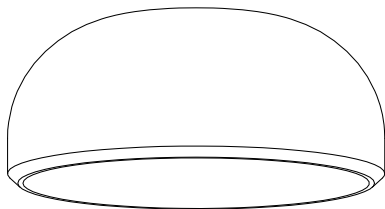
PIPE CONCENTRIC & ECCENTRIC REDUCERS B/W 316



SIZE	Sch 10 316 CONC	Sch 40 316 CONC	Sch 10 316 ECC	Sch 40 316 ECC
18>12mm	3.00	3.50	3.50	4.50
25>12mm	5.00	6.00	6.00	7.00
25>18mm	5.00	6.00	6.00	7.00
31>25mm	6.00	7.00	7.50	8.00
38>25mm	8.00	10.00	10.00	12.00
38>31mm	8.00	10.00	10.00	12.00
50>25mm	12.00	15.00	16.00	18.00
50>31mm	12.00	15.00	16.00	18.00
50>38mm	10.00	13.00	13.00	15.00
63>38mm	16.00	24.00	20.00	28.00
63>50mm	15.00	23.00	19.00	27.00
76>50mm	19.00	31.00	23.00	33.00
76>63mm	18.00	29.00	21.00	31.00
100>50mm	29.00	55.00	36.00	60.00
100>63mm	27.00	50.00	33.00	55.00
100>76mm	25.00	45.00	30.00	50.00
125>76mm	47.00	82.00	56.00	85.00
125>100mm	43.00	76.00	50.00	79.00
150>76mm	63.00	122.00	76.00	140.00
150>100mm	61.00	117.00	72.00	130.00
150>125mm	59.00	112.00	68.00	120.00
200>100mm	105.00	210.00	130.00	250.00
200>125mm	100.00	200.00	115.00	230.00
200>150mm	95.00	190.00	100.00	210.00
250>150mm	POA	POA	POA	POA
250>200mm	POA	POA	POA	POA
300>200mm	POA	POA	POA	POA
300>250mm	POA	POA	POA	POA
	(10RC)	(40RC)	(10RE)	(40RE)

PIPE END CAPS B/W 316

(10EC)
(40EC)

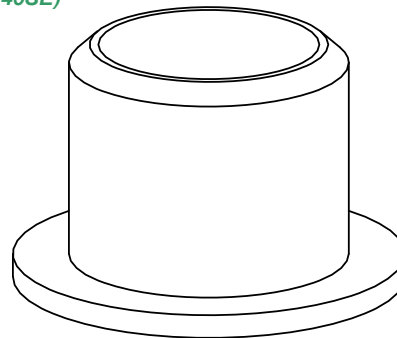


SIZE	Sch10	Sch40
12mm	5.00	6.00
18mm	5.50	6.50
25mm	6.00	8.00
31mm	7.00	9.00
38mm	8.50	11.00
50mm	11.00	14.00
63mm	14.00	20.00
76mm	20.00	34.00
100mm	30.00	50.00
125mm	60.00	90.00
150mm	80.00	120.00
200mm	115.00	200.00
250mm	POA	POA
300mm	POA	POA

PIPE STUB END B/W 316

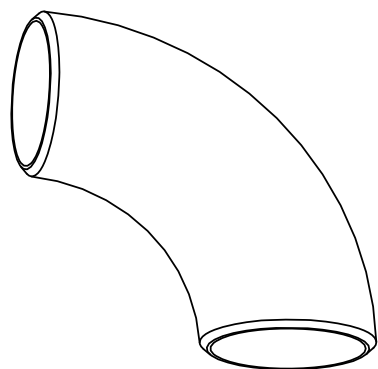
(10SE)
(40SE)

TYPE B



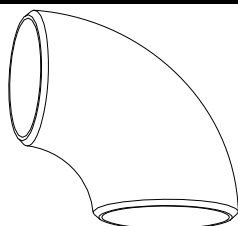
SIZE	Sch10	Sch40
12mm	12.00	15.00
18mm	13.00	16.00
25mm	15.00	18.00
31mm	17.00	20.00
38mm	23.00	26.00
50mm	30.00	34.00
63mm	38.00	55.00
76mm	60.00	70.00
100mm	68.00	110.00
125mm	100.00	140.00
150mm	130.00	212.00
200mm	236.00	370.00
250mm	POA	POA
300mm	POA	POA

PIPE ELBOWS 90° BUTT WELD



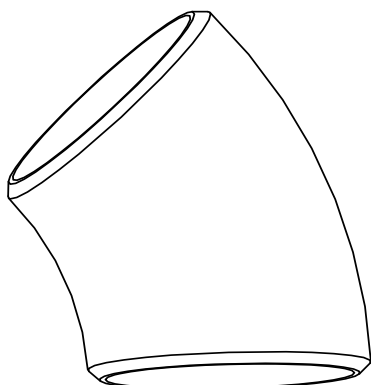
SIZE	SCH 10 316	SCH 40 316	SCH 10 304	SCH 40 304
12mm	4.00	4.50	-	-
18mm	5.00	5.50	-	-
25mm	6.00	7.00	5.00	6.00
31mm	9.00	12.00	8.00	10.50
38mm	11.00	14.00	9.50	12.00
50mm	16.00	19.00	13.50	16.00
63mm	22.00	36.00	19.00	31.00
76mm	28.00	48.00	24.00	41.00
100mm	48.00	88.00	41.00	75.00
125mm	95.00	175.00	81.00	148.00
150mm	120.00	265.00	102.00	225.00
200mm	320.00	790.00	225.00	560.00
250mm	POA	POA	POA	POA
300mm	POA	POA	POA	POA
	(10E6)	(40E6)	(10E4)	(40E4)

SHORT RADIUS PIPE ELBOWS 90° BUTT WELD



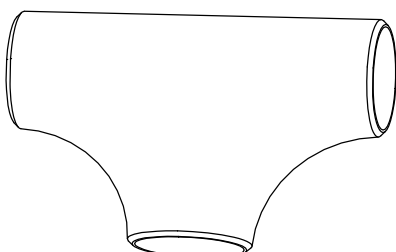
SIZE	SCH 10 316	SCH 40 316
25mm	8.00	9.00
31mm	10.00	13.00
38mm	12.00	15.00
50mm	17.00	20.00
63mm	23.00	37.00
76mm	30.00	50.00
100mm	48.00	88.00
125mm	95.00	175.00
150mm	120.00	265.00
	(10E6SR)	(40E6SR)

PIPE ELBOWS 45° BUTT WELD



SIZE	SCH 10 316	SCH 40 316
12mm	POA	POA
18mm	POA	POA
25mm	5.00	6.00
31mm	7.50	10.00
38mm	9.00	11.50
50mm	13.00	15.50
63mm	18.00	29.00
76mm	23.00	39.00
100mm	39.00	71.00
125mm	76.00	140.00
150mm	96.00	212.00
200mm	256.00	632.00
250mm	POA	POA
300mm	POA	POA
	(10E45)	(40E45)

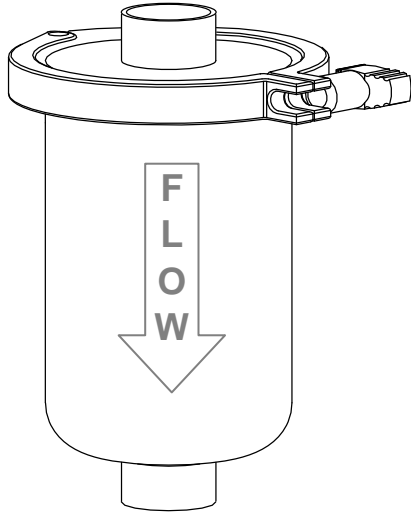
PIPE EQUAL TEES BUTT WELD



SIZE	SCH 10 316	SCH 40 316	SCH 10 304	SCH 40 304
12mm	5.00	8.00	-	-
18mm	5.50	8.50	-	-
25mm	8.00	11.00	7.50	10.50
31mm	11.00	16.00	10.50	15.50
38mm	14.50	22.00	14.00	19.00
50mm	21.00	26.00	18.00	22.50
63mm	32.00	66.00	30.00	42.50
76mm	41.00	82.00	34.00	62.00
100mm	62.00	144.00	54.00	89.00
125mm	152.00	188.00	98.00	162.00
150mm	140.00	282.00	124.00	248.00
200mm	360.00	840.00	240.00	660.00
250mm	POA	POA	POA	POA
300mm	POA	POA	POA	POA
	(10T6)	(40T6)	(10T4)	(40T4)

GEORDI CONCENTRIC INLINE STRAINER

(STC)
(STCF)



c/w PERF SHEET Basket

SIZE	PRICE
12mm	545.00
18mm	545.00
25mm	545.00
38mm	545.00
50mm	665.00
63mm	825.00
76mm	920.00
100mm	1200.00
125mm	1500.00
150mm	1500.00
200mm	2060.00

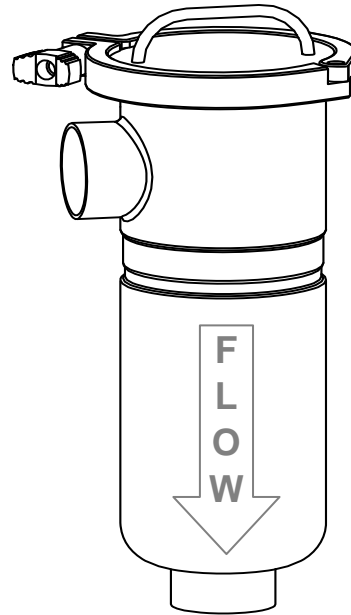
Inc FINE MESH Basket

SIZE	PRICE
12mm	680.00
18mm	680.00
25mm	680.00
38mm	680.00
50mm	830.00
63mm	1030.00
76mm	1240.00
100mm	1620.00
125mm	2050.00
150mm	2050.00
200mm	2900.00

***ALL STRAINERS NOW COME WITH BUTT WELD ENDS AS STANDARD**

GEORDI RIGHT ANGLE STRAINER

(STR)
(STRF)



c/w PERF SHEET Basket

SIZE	PRICE
12mm	600.00
18mm	600.00
25mm	600.00
38mm	640.00
50mm	725.00
63mm	885.00
76mm	950.00
100mm	1330.00
125mm	2060.00
150mm	2060.00

Inc FINE MESH Basket

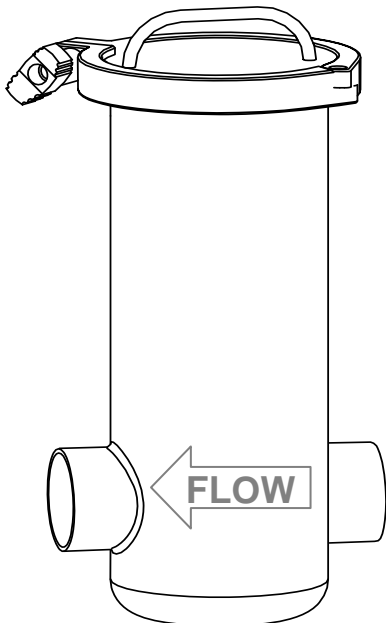
SIZE	PRICE
12mm	760.00
18mm	760.00
25mm	760.00
38mm	800.00
50mm	910.00
63mm	1110.00
76mm	1280.00
100mm	1795.00
125mm	2820.00
150mm	2820.00

***ALL STRAINERS NOW COME WITH BUTT WELD ENDS AS STANDARD**

Flow directions for all strainers are opposite if wedgewire baskets are required.

GEORDI "T" TYPE STRAINER

(STT)
(STTF)



c/w PERF SHEET Basket

SIZE	PRICE
12mm	915.00
18mm	915.00
25mm	915.00
38mm	990.00
50mm	1140.00
63mm	1320.00
76mm	1450.00
100mm	1980.00
125mm	2640.00
150mm	2640.00
200mm	3600.00

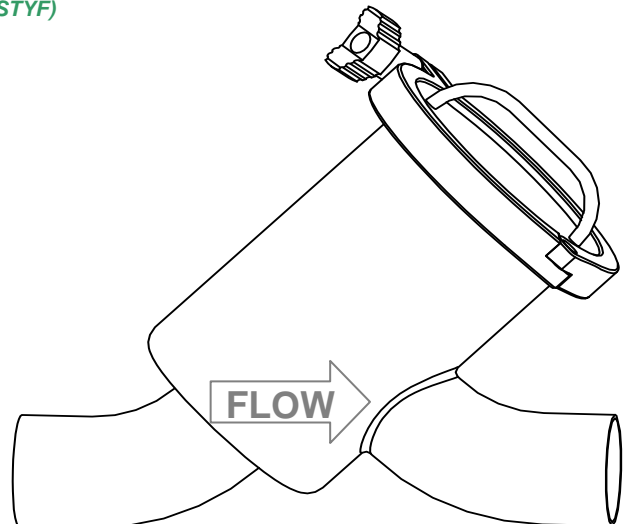
Inc FINE MESH Basket

SIZE	PRICE
12mm	1140.00
18mm	1140.00
25mm	1140.00
38mm	1235.00
50mm	1425.00
63mm	1650.00
76mm	1960.00
100mm	2675.00
125mm	3600.00
150mm	3600.00
200mm	5000.00

***ALL STRAINERS NOW COME WITH BUTT WELD ENDS AS STANDARD**

GEORDI "Y" TYPE STRAINER

(STY)
(STYF)



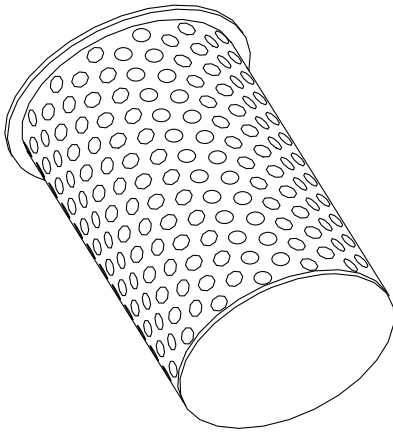
c/w Perf Sheet Basket

SIZE	PRICE
25mm	460.00
38mm	510.00
50mm	610.00
63mm	795.00
76mm	880.00
100mm	1200.00
125mm	1720.00
150mm	1720.00
200mm	2400.00

Inc Fine Mesh Basket

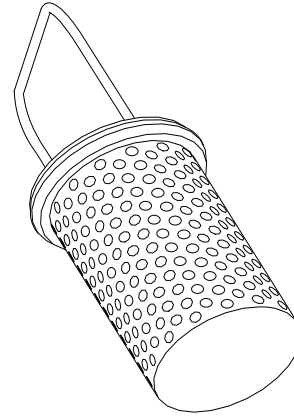
SIZE	PRICE
25mm	590.00
38mm	655.00
50mm	785.00
63mm	1030.00
76mm	1145.00
100mm	1685.00
125mm	2400.00
150mm	2400.00
200mm	3370.00

SPARE FILTER BASKET FOR INLINE STRAINER



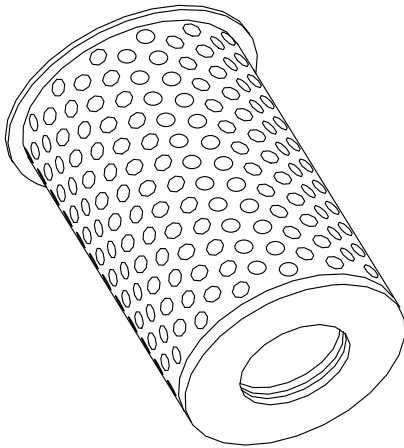
SIZE	PERF	FINE
12mm	330.00	585.00
18mm	330.00	585.00
25mm	330.00	585.00
38mm	330.00	655.00
50mm	330.00	655.00
63mm	480.00	795.00
76mm	480.00	795.00
100mm	580.00	825.00
125mm	785.00	990.00
150mm	785.00	990.00
200mm	1100.00	1460.00
	(ST1)	(ST1F)

SPARE FILTER BASKET FOR RIGHT ANG STRAINER



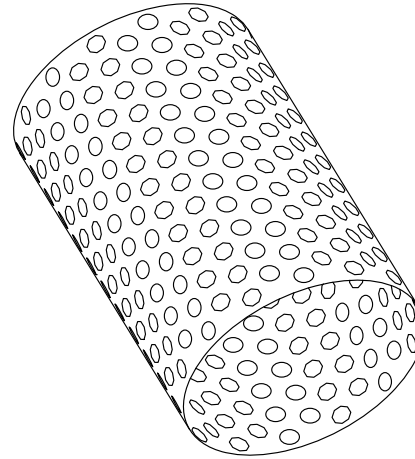
SIZE	PERF	FINE
12mm	330.00	660.00
18mm	330.00	660.00
25mm	330.00	660.00
38mm	330.00	660.00
50mm	395.00	725.00
63mm	395.00	725.00
76mm	480.00	795.00
100mm	580.00	825.00
125mm	785.00	990.00
150mm	785.00	990.00
	(ST3)	(ST3F)

SPARE FILTER BASKET FOR T TYPE STRAINER



SIZE	PERF	FINE
12mm	330.00	655.00
18mm	330.00	655.00
25mm	330.00	655.00
38mm	330.00	655.00
50mm	395.00	725.00
63mm	480.00	795.00
76mm	480.00	795.00
100mm	580.00	825.00
125mm	785.00	990.00
150mm	785.00	990.00
200mm	1100.00	1460.00
	(ST2)	(ST2F)

SPARE FILTER BASKET FOR Y TYPE STRAINER



SIZE	PERF	FINE
25mm	135.00	450.00
38mm	135.00	450.00
50mm	170.00	480.00
63mm	200.00	590.00
76mm	200.00	590.00
100mm	330.00	825.00
125mm	430.00	990.00
150mm	430.00	990.00
200mm	500.00	1460.00
	(ST4)	(ST4F)

***EX STOCK STRAINERS SUPPLIED WITH 1.6mm DIAM HOLE PERFORATED BASKETS**
***PERFORATED BASKET STRAINERS CAN BE SUPPLIED WITH 0.5mm - 15mm HOLE FILTERS**
***FINE MESH STRAINERS CAN BE SUPPLIED WITH 38micron - 415micron FILTERS**
***5micron - 25micron STRAINERS REQUIRE HOLLANDER WEAVE MESH - POA**

WEDGE WIRE BASKETS ARE AVAILABLE ON REQUEST

Full Body Water Jacket (nett prices)

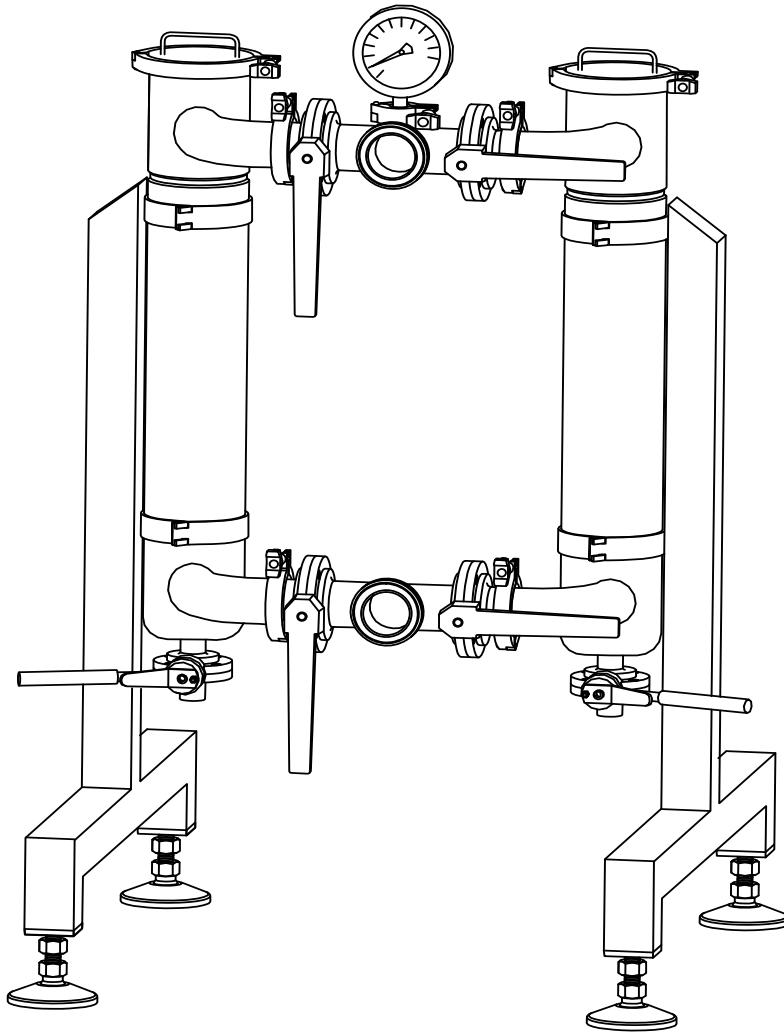
	Y Type	Right Angle	T Type	Inline
12-76mm	1820.00	1050.00	1050.00	550.00
100mm	2280.00	1305.00	1305.00	690.00
125-200mm	2925.00	1685.00	1685.00	900.00

Half Body Water Jacket (nett prices)

	Y Type	Right Angle	T Type
12-76mm	1000.00	550.00	550.00
100mm	1230.00	690.00	690.00
125-200mm	1575.00	900.00	900.00

GEORDI DUPLEX STRAINERS

(STD)
(STDF)



c/w PERF Sheet Basket

SIZE	PRICE
25mm	4070.00
38mm	4180.00
50mm	4840.00
63mm	5500.00
76mm	6050.00
100mm	6600.00
150mm	11000.00

Inc Fine Mesh Basket

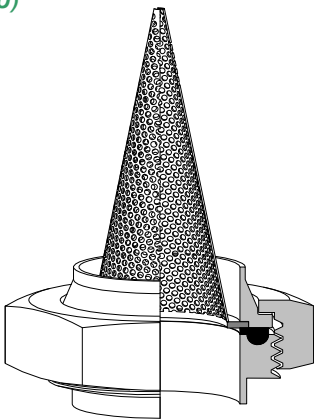
SIZE	PRICE
25mm	5090.00
38mm	5225.00
50mm	6050.00
63mm	6875.00
76mm	8170.00
100mm	8910.00
150mm	14850.00

***NOTE: Budget prices only.**

Available with 1 (std) or 2 pressure gauges. Also available with optional draining valves.

GEORDI UNION STRAINER

(STU)



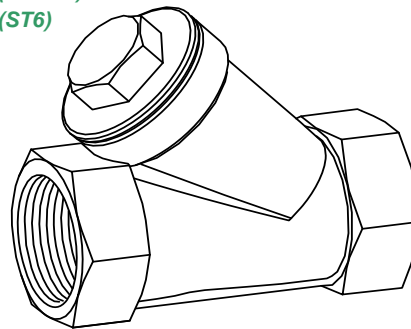
SIZE	PRICE
50mm	145.00
63mm	150.00
76mm	160.00
100mm	195.00
125mm	385.00
150mm	385.00
200mm	605.00

SPARE PERF BASKET

SIZE (ST5)	PRICE
50mm	120.00
63mm	130.00
76mm	130.00
100mm	145.00
125mm	285.00
150mm	285.00
200mm	375.00

BSP "Y" STRAINER

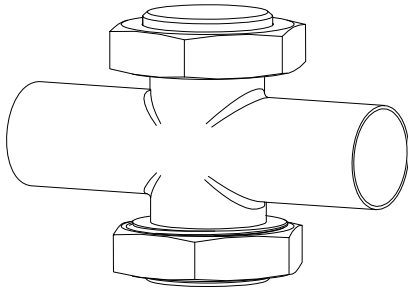
(STBPY)
(ST6)



SIZE	PRICE
12mm	30.00
18mm	47.00
25mm	56.00
31mm	75.00
38mm	85.00
50mm	128.00

GEORDI BULLSEYE SIGHT GLASS c/w POLYCARBONATE LENS

(SGB)

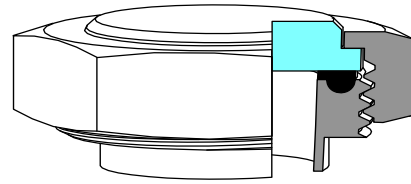


SIZE	PRICE
25mm	124.00
38mm	139.00
50mm	161.00
63mm	205.00
76mm	238.00
100mm	303.00
125mm	621.00
150mm	661.00

125mm & 150mm have 100mm viewing outlets

GEORDI PORTHOLE SIGHT GLASS c/w POLYCARBONATE LENS

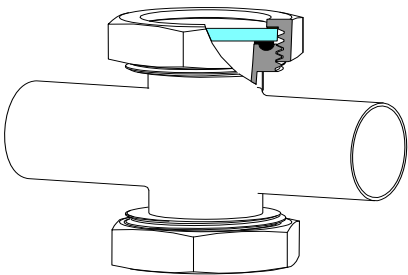
(SGP)



SIZE	PRICE
25mm	35.50
38mm	39.00
50mm	43.50
63mm	51.00
76mm	57.00
100mm	66.50
125mm	145.50
150mm	150.50

GEORDI BULLSEYE SIGHT GLASS C/W ARMOUR PLATE LENS

(SGBA)
(SGBAH)

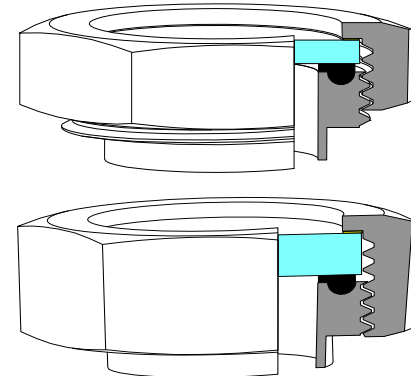


SIZE	STD	H/Duty
25mm	212.00	294.00
38mm	229.00	313.00
50mm	251.00	348.00
63mm	287.00	389.00
76mm	324.00	458.00
100mm	387.00	558.00
125mm	701.00	1041.00
150mm	781.00	1131.00

125mm & 150mm have 100mm viewing outlets

GEORDI PORTHOLE SIGHT GLASS c/w ARMOUR PLATE LENS

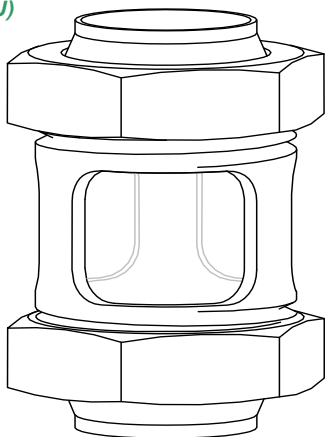
(SGPA) (SGPAH)



SIZE	STD	H/Duty
25mm	79.50	120.50
38mm	84.00	126.00
50mm	88.50	137.00
63mm	92.00	143.00
76mm	100.00	167.00
100mm	108.50	194.00
125mm	185.50	355.50
150mm	210.50	385.50

GEORDI UNION TYPE SIGHT GLASS

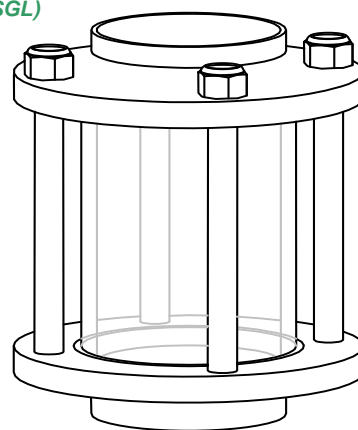
(SGU)



SIZE	PRICE
25mm	265.00
38mm	295.00
50mm	325.00
76mm	375.00
100mm	445.00

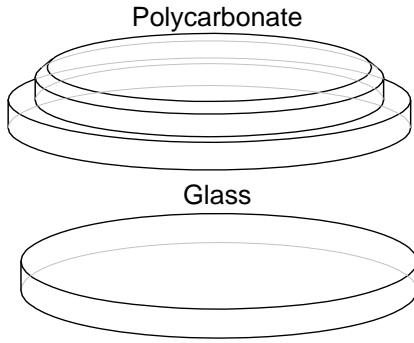
GEORDI LANTERN TYPE SIGHT GLASS

(SGL)



SIZE	PRICE
25mm	315.00
38mm	350.00
50mm	365.00
63mm	435.00
76mm	465.00
100mm	560.00
150mm	1175.00

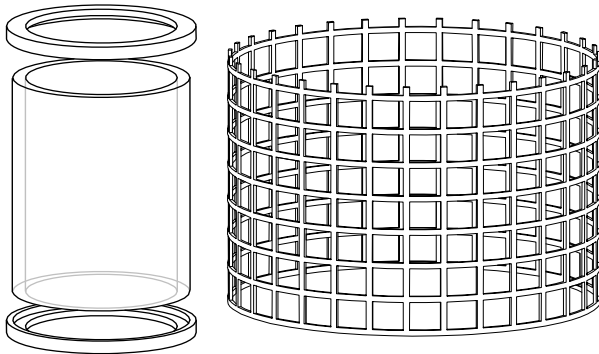
BULLSEYE / PORTHOLE SPARE LENS



SIZE	POLY-CARBONATE	STD ARMOUR PLATE GLASS	H/DTY ARMOUR PLATE GLASS
25mm	30.00	65.00	90.00
38mm	30.00	65.00	90.00
50mm	35.00	65.00	90.00
63mm	38.00	65.00	90.00
76mm	40.00	65.00	100.00
100mm	45.00	65.00	110.00
125mm	90.00	100.00	150.00
150mm	90.00	120.00	175.00
	(SG1)	(SG2)	(SG3)

* std Armour Plate Lens: 6mm Thick H/Duty: 12mm Thick

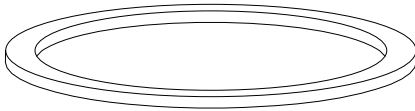
UNION/LANTERN SPARE PARTS



SIZE	GLASS	POLY-CARBONATE	EPDM SET	TEFLON SET	SQR PERF PROTECTOR
25mm	45.00	30.00	26.00	46.00	52.00
38mm	50.00	30.00	30.00	56.00	52.00
50mm	55.00	35.00	30.00	56.00	52.00
63mm	61.00	40.00	35.00	76.00	65.00
76mm	75.00	40.00	35.00	76.00	65.00
100mm	95.00	50.00	40.00	105.00	65.00
150mm	165.00	-	60.00	180.00	100.00
	(SG4)	(SG5)	(SG6)	(SG7)	(SG10)

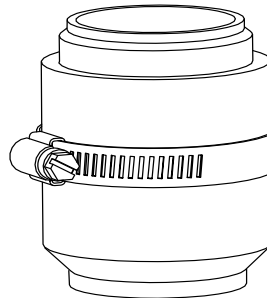
ANTI-SHELL RINGS

(SG8) (SG9)



SIZE	HD PE	TEFLON
25mm	4.00	5.00
38mm	5.00	6.50
50mm	5.00	6.50
63mm	6.00	7.50
76mm	8.00	10.00
100mm	10.00	12.50
125mm	15.00	19.00
150mm	20.00	25.00

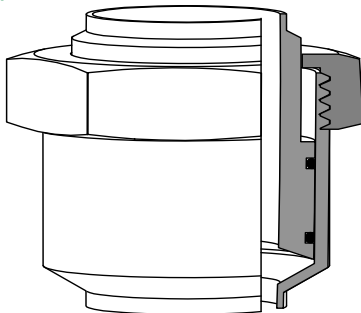
GEORDI INDUSTRIAL SWING JOINT



SIZE	PRICE	SEAL KIT
25mm	265.00	30.00
38mm	315.00	30.00
50mm	340.00	30.00
63mm	420.00	35.00
76mm	435.00	35.00
100mm	505.00	35.00
150mm	1200.00	40.00
	(SJI)	(SJS)

GEORDI SHORT EXPANSION JOINT

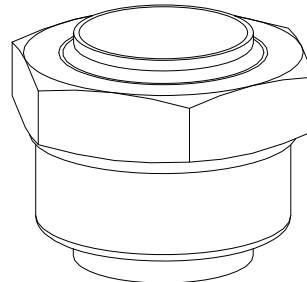
(EJ)



SIZE	PRICE
25mm	475.00
38mm	485.00
50mm	665.00
63mm	735.00
76mm	885.00
100mm	1175.00

GEORDI HYGIENIC SWING JOINT

(SJH) (SJHS)

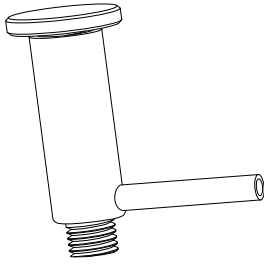


SIZE	PRICE	SEAL KIT
25mm	350.00	50.00
38mm	410.00	60.00
50mm	445.00	70.00
63mm	480.00	75.00
76mm	520.00	80.00
100mm	665.00	85.00
150mm	1395.00	130.00

*150mm uses Round / Slotted Nut

GEORDI BSP MALE SAMPLE VALVE

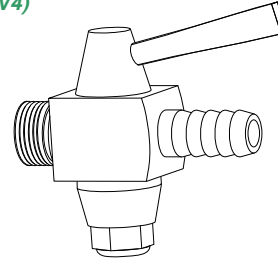
(SV1)



SIZE	PRICE
9mm	135.00

BSP SAMPLE VALVE C/W HTAIL

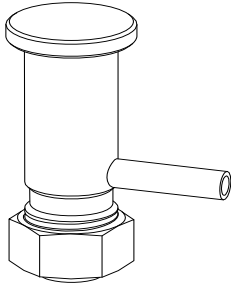
(SV4)



SIZE	PRICE
6mm	176.00
9mm	176.00
12mm	207.00

GEORDI HYG MALE SAMPLE VALVE

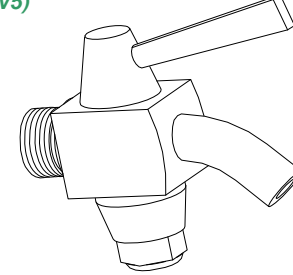
(SV2)



SIZE	PRICE
18mm	170.00

BSP SAMPLE VALVE C/W BEND

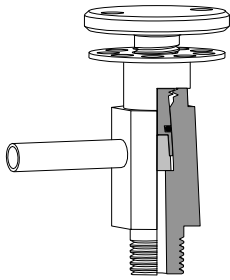
(SV5)



SIZE	PRICE
6mm	176.00
9mm	176.00
12mm	207.00

GEORDI BSP LOCKABLE SAMPLE VALVE

(SV3)



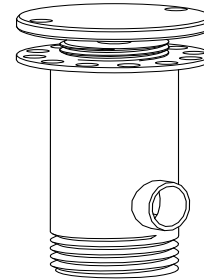
SIZE	PRICE
12mm	70.00

Spare PTFE Bush & O-Ring
(SV7)

PRICE	
6.00	

GEORDI F/FACE LOCKABLE SAMPLE VALVE

(SV6)



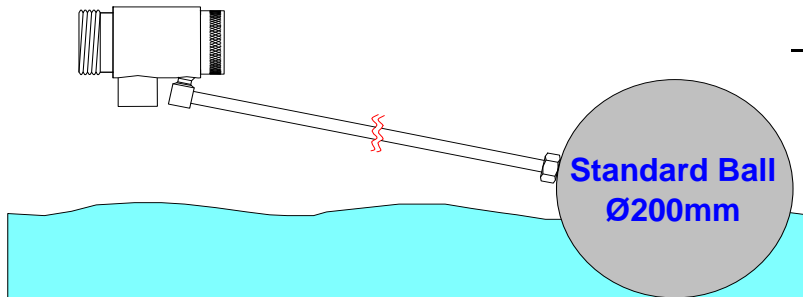
SIZE	PRICE
25mm	198.00

Spare PTFE Bush & O-Ring
(SV8)

PRICE	
12.00	

GEORDI HYGIENIC FLOAT VALVE

(FV) (FVB)

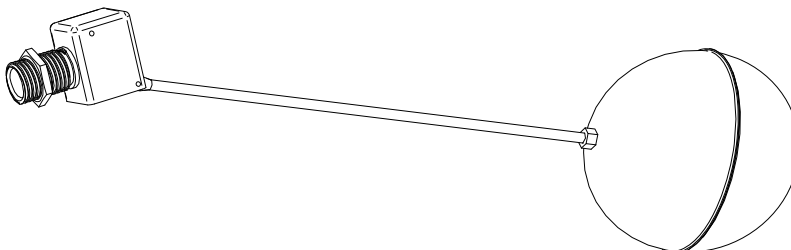


COMPLETE VALVE		SPARE BALLS	
SIZE	PRICE	SIZE	PRICE
25mm	635.00	76mm	90.00
		100mm	105.00
		125mm	115.00
		150mm	155.00
		200mm	180.00
		250mm	240.00

BSP INDUSTRIAL FLOAT VALVES

(FVBSP)

(FVBSPB)



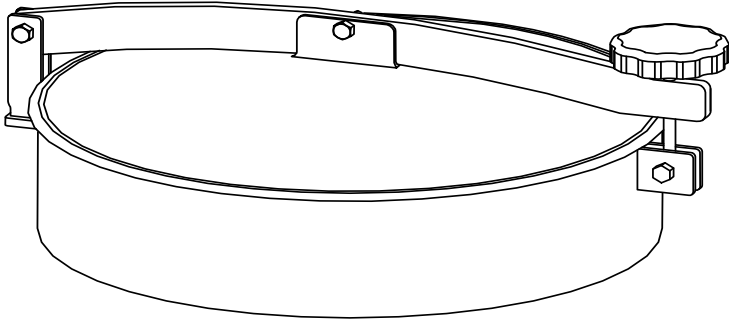
SIZE	PRICE
12mm	150.00
18mm	210.00
25mm	220.00

SPARE BALLS

SIZE	DIAM	PRICE
12mm	110mm	48.00
18mm	160mm	96.00
25mm	160mm	96.00

STAINLESS STEEL MANHOLES

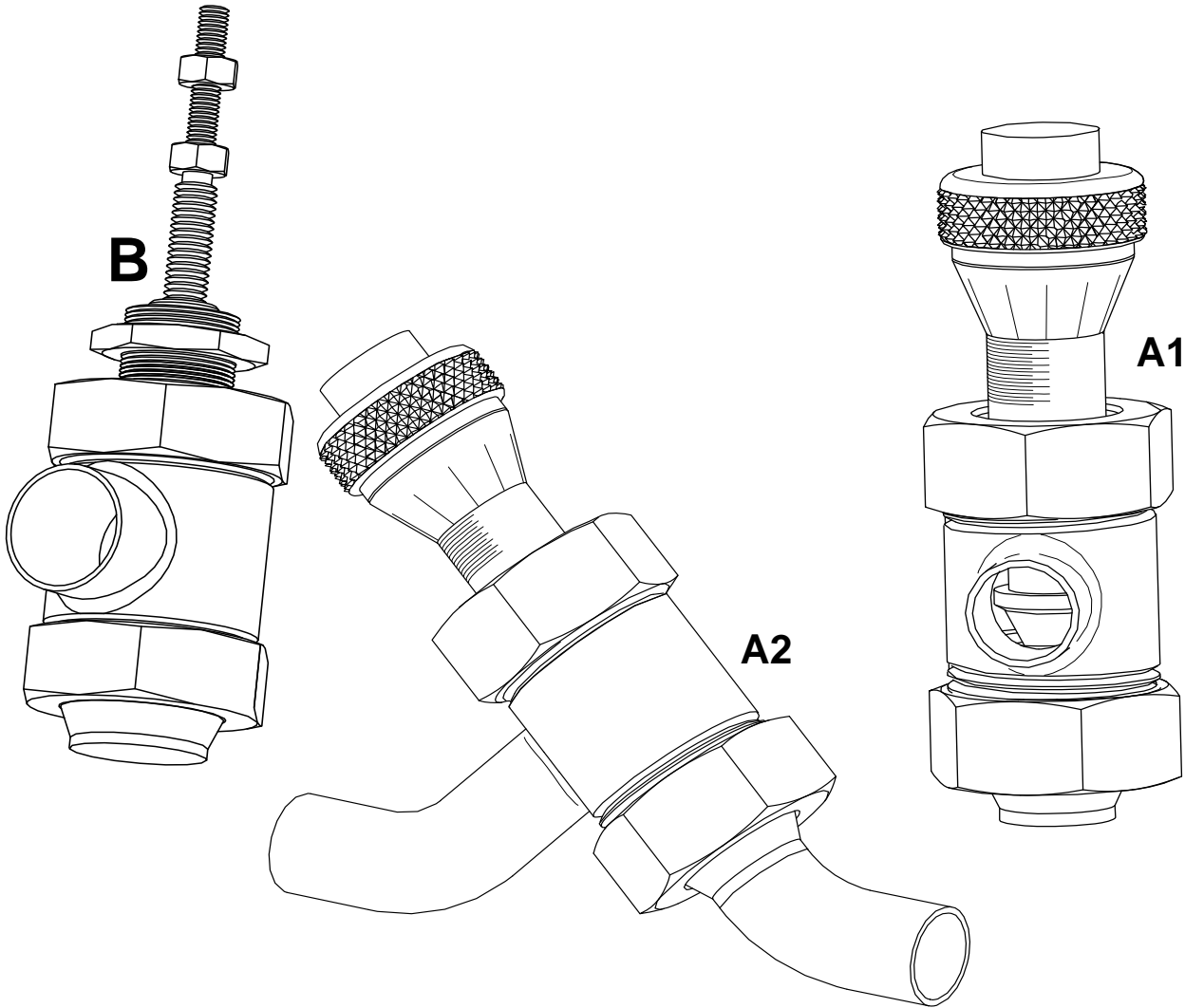
(MH)



Check with Geordi for pricing & availability once you decide on the following parameters:

- Material Grade (304 or 316)
- Size
- Shape (Round/Rectangle/Oval)
- Pressure Rating
- Seal Material
- Top or Side entry
- Outward or Inward opening

GEORDI FLOW CONTROL VALVES

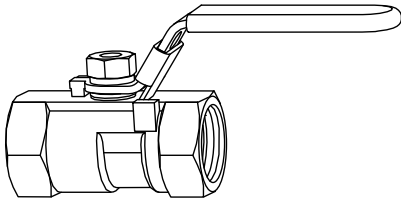


**FULLY AUTOMATIC MODULATING VALVE -
PRICE ON APPLICATION**

SIZE	MANUAL (A1)	MANUAL (A2)	FOR AUTO (B)
25mm	1160.00	1225.00	1085.00
38mm	1160.00	1225.00	1085.00
50mm	1230.00	1325.00	1155.00
63mm	1600.00	1735.00	1530.00
76mm	2250.00	2395.00	2090.00
100mm	3540.00	3760.00	3225.00
	(FCV1)	(FCV2)	(FCV3)

BSP 1pce RED BORE BALL VALVE

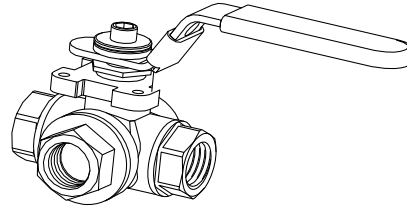
(BV1)



SIZE	PRICE
6mm	12.00
9mm	13.00
12mm	16.00
18mm	21.00
25mm	31.00
31mm	43.00
38mm	51.00
50mm	73.00

BSP 3 WAY BALL VALVE

(BV3W)

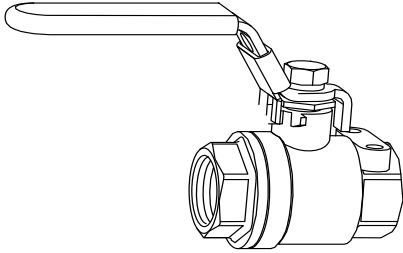


SIZE	PRICE
12mm	94.00
18mm	112.50
25mm	160.00
31mm	197.00
38mm	262.50
50mm	375.00

Available in 'L' port & 'T' port.

BSP 2pce FULL BORE BALL VALVE

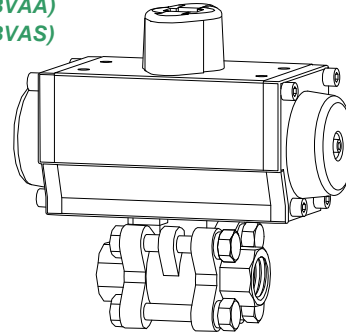
(BV2)



SIZE	PRICE
6mm	18.00
9mm	20.00
12mm	24.00
18mm	30.00
25mm	40.00
31mm	57.00
38mm	88.00
50mm	128.00
63mm	195.00
76mm	285.00
100mm	690.00

BSP 3pce BALL VALVE c/w ACTUATOR

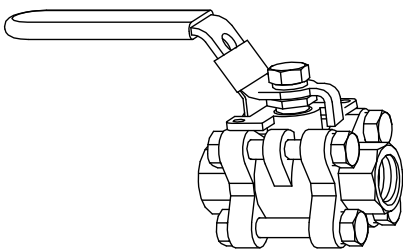
(BVAA)
(BVAS)



SIZE	AIR/AIR	AIR/SPRG
6mm	270	300
9mm	270	300
12mm	270	300
18mm	280	310
25mm	300	335
31mm	410	450
38mm	470	500
50mm	560	610
63mm	930	1115
76mm	1170	1490
100mm	1470	1865

BSP 3pce FULL BORE BALL VALVE

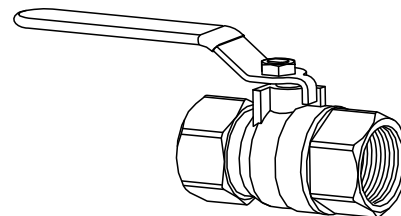
(BV3)



SIZE	PRICE
6mm	27.00
9mm	30.00
12mm	34.00
18mm	46.00
25mm	56.00
31mm	90.00
38mm	120.00
50mm	172.00
63mm	260.00
76mm	370.00
100mm	665.00

BSP BRASS BALL VALVE

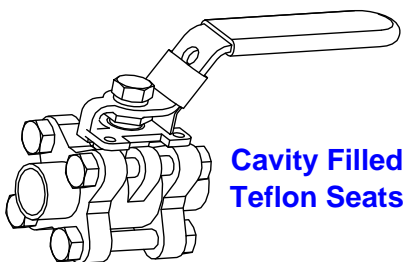
(BVB)



SIZE	PRICE
6mm	8.00
9mm	8.00
12mm	8.00
18mm	12.00
25mm	16.00
31mm	24.00
38mm	35.00
50mm	55.00

B/W 3pce FULL BORE BALL VALVE

(BVBW)

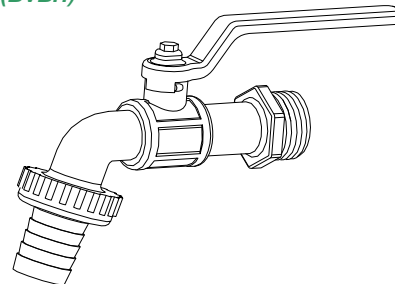


Cavity Filled
Teflon Seats

SIZE	PRICE
12mm	65.00
18mm	85.00
25mm	105.00
38mm	180.00
50mm	250.00
63mm	360.00
76mm	650.00
100mm	840.00

BSP BRASS HOSE BALL TAP

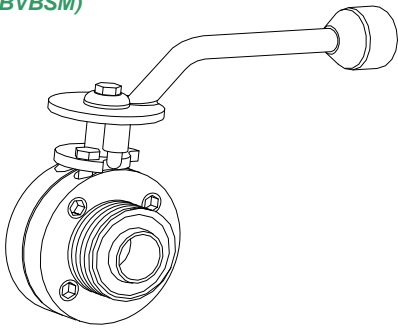
(BVBH)



SIZE	PRICE
12mm	16.00
18mm	23.00
25mm	39.00

BSM FULL BORE BALL VALVE

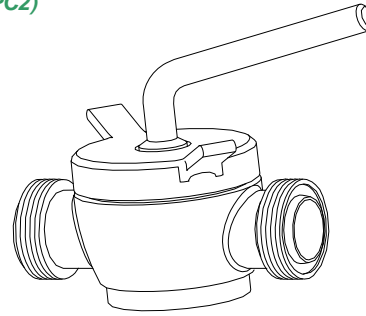
(BVBSM)



SIZE	PRICE
25mm	POA
38mm	POA
50mm	POA
63mm	POA
76mm	POA
100mm	POA

2 WAY M/M PLUG COCK

(PC2)

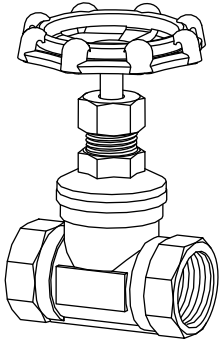


SIZE	PRICE
25mm	760.00
38mm	1170.00
50mm	1500.00
63mm	2550.00
76mm	3900.00
100mm	6300.00

Note: Ends are standard BSM

BSP GLOBE VALVE

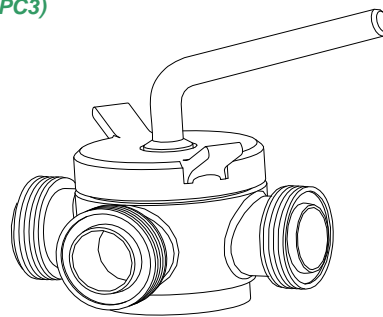
(GLV)



SIZE	PRICE
12mm	47.00
18mm	56.00
25mm	66.00
31mm	116.00
38mm	131.00
50mm	150.00

3 WAY M/M/M PLUG COCK

(PC3)

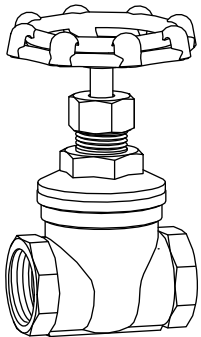


SIZE	PRICE
25mm	760.00
38mm	1170.00
50mm	1500.00
63mm	2550.00
76mm	3900.00
100mm	6300.00

Note: Ends are standard BSM

BSP GATE VALVE

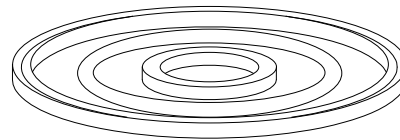
(GAV)



SIZE	PRICE
12mm	47.00
18mm	56.00
25mm	75.00
31mm	103.00
38mm	131.00
50mm	150.00

PLUG COCK SEAL KIT

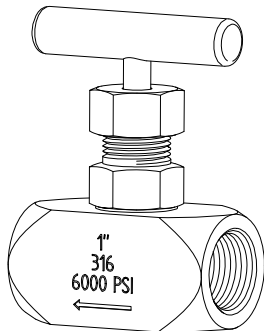
(PCSK)



SIZE	PRICE
25mm	30.00
38mm	42.00
50mm	50.00
63mm	75.00
76mm	110.00
100mm	115.00

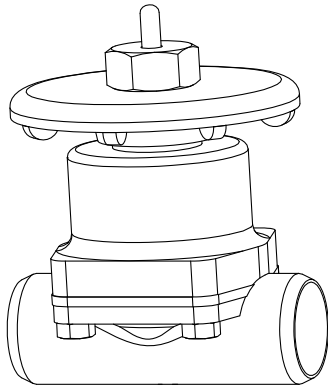
BSP NEEDLE VALVES

(NV)



SIZE	PRICE
12mm	170.00
18mm	255.00
25mm	467.00

GEORDI FULL FLOW DIAPHRAGM VALVE P/PLAIN

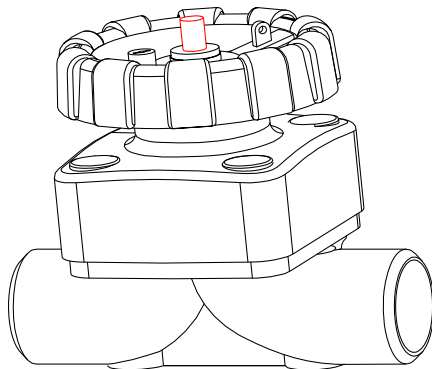


SIZE	WINE FINISH	INSIDE POLISH	DIAPHRAGM (EPDM)	SPARE BONNET
25mm	280.00	410.00	25.00	165.00
38mm	280.00	410.00	25.00	165.00
50mm	320.00	490.00	25.00	210.00
63mm	-	-	34.00	-
76mm	520.00	740.00	34.00	330.00
100mm	760.00	980.00	42.00	430.00
150mm	1950.00	2400.00	250.00	710.00
	(DVP)	(DVPP)	(DVD)	(DVB)

ACTUATED VALVES A/AIR

76mm	750.00
100mm	1045.00
	(DVA)

GEORDI WEIR TYPE DIAPHRAGM VALVE

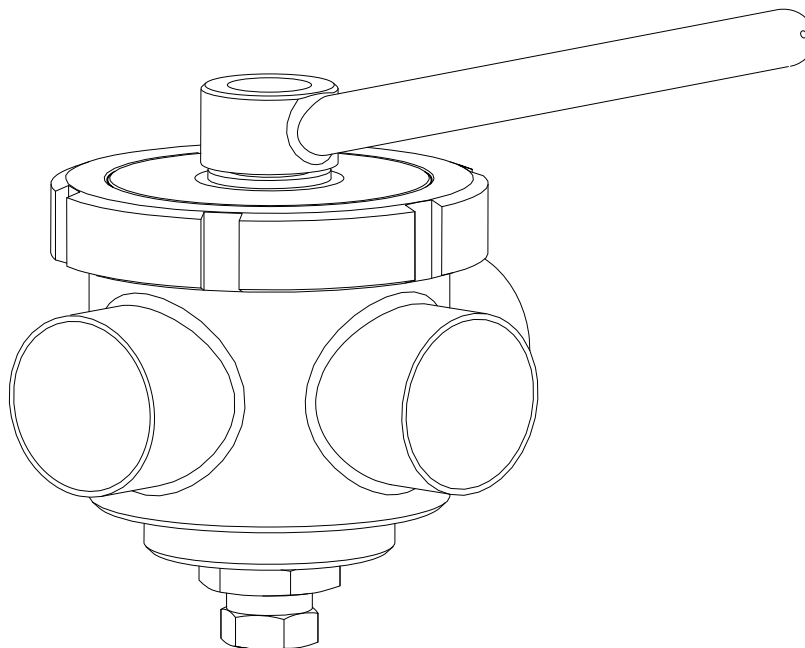


SIZE	PLAIN	BSP F/FEMALE	DIAPHRAGM M14 EPDM
12mm	-	POA	40.00
18mm	POA	POA	40.00
25mm	POA	POA	40.00
38mm	POA	POA	45.00
50mm	POA	POA	50.00
	(DVWP)	(DVWF)	(DVWD)

*63mm, 76mm & 100mm POA

GEORDI 3 WAY ROTARY DIVERTING VALVE P/P/PLAIN

(RDV1)
(RDV2)
(RDV3)



SIZE	PRICE
25mm	1365.00
38mm	1390.00
50mm	1425.00
63mm	2420.00
76mm	2480.00
100mm	2540.00

ACTUATED VALVES

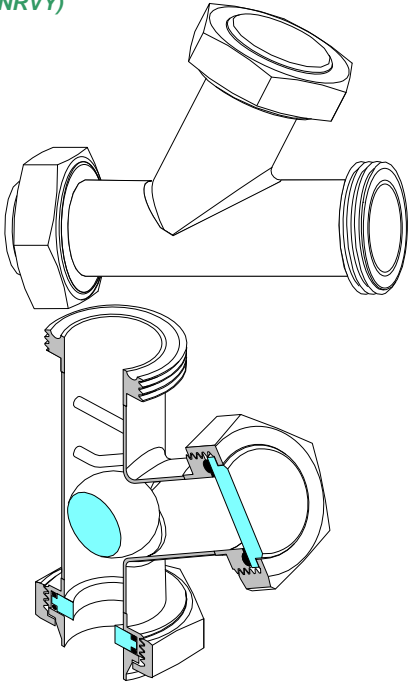
25mm	1850.00
38mm	1875.00
50mm	1910.00
63mm	3025.00
76mm	3085.00
100mm	3145.00

BLOCK & BLEED (Double seat)

25mm	1665.00
38mm	1695.00
50mm	1725.00
63mm	2785.00
76mm	2845.00
100mm	2905.00

GEORDI Y BALL NON RETURN VALVE

(NRVY)

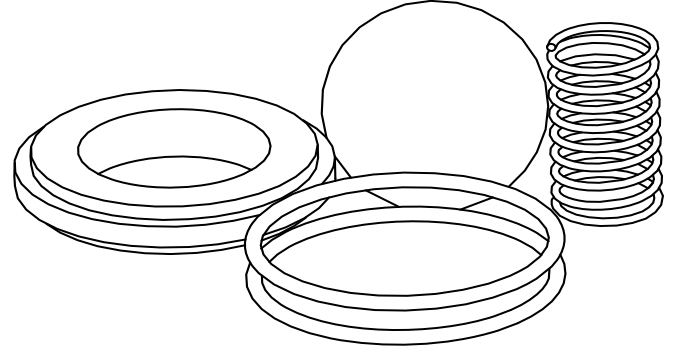


SIZE	PRICE
25mm	360.00
38mm	395.00
50mm	450.00
63mm	535.00
76mm	675.00
100mm	890.00

NON RETURN VALVE SPARES

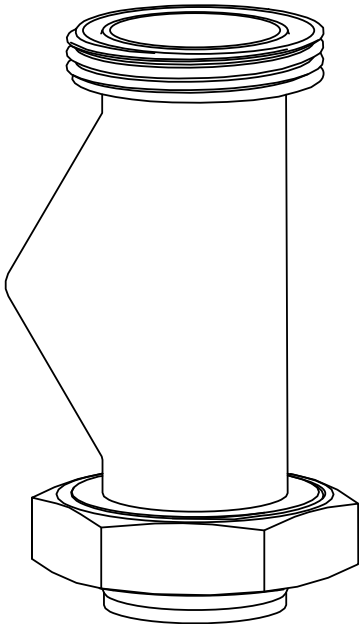
SIZE	SEAT SET	SPRING	NYLON BALL	TEFLON BALL
12mm	-	15.00	-	-
18mm	-	15.00	-	-
25mm	35.00	15.00	20.00	40.00
38mm	40.00	18.00	30.00	80.00
50mm	45.00	22.00	40.00	130.00
63mm	50.00	22.00	55.00	200.00
76mm	70.00	25.00	80.00	300.00
100mm	80.00	25.00	150.00	600.00
150mm	-	40.00	-	-

(NRV1) (NRV2) (NRV3) (NRV4)



GEORDI INLINE BALL NON RETURN VALVE

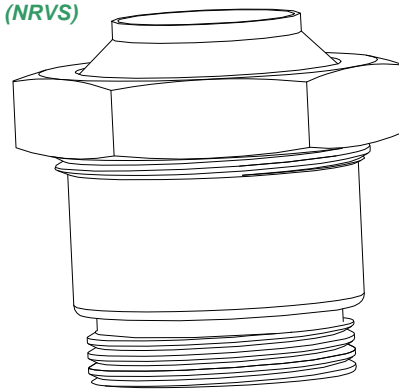
(NRVi)



SIZE	PRICE
25mm	280.00
38mm	305.00
50mm	370.00
63mm	425.00
76mm	560.00
100mm	705.00

GEORDI SPRING PLATE NON RETURN VALVE

(NRVS)

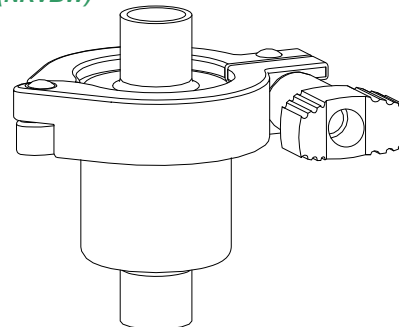


SIZE	PRICE
25mm	390.00
38mm	440.00
50mm	480.00
63mm	630.00
76mm	910.00
100mm	1280.00
150mm	2300.00

Note: 150mm NRV - B/Weld Both Ends

GEORDI B/W SPRING NON RETURN VALVE

(NRVBW)

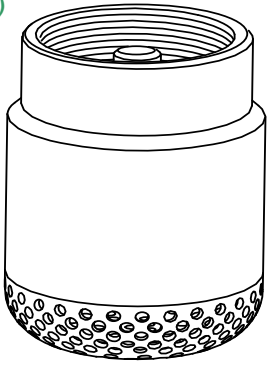


SIZE	PRICE
12mm	335.00
18mm	335.00

*Ferrule ends available

GEORDI BSP FOOT VALVE

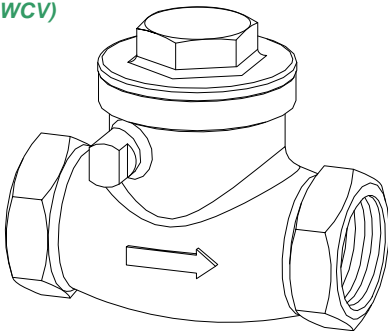
(BSPFV)



SIZE	PRICE
25mm	385.00
38mm	420.00
50mm	540.00
63mm	650.00
76mm	840.00
100mm	1230.00
125mm	1900.00
150mm	1900.00

BSP SWING CHECK VALVE

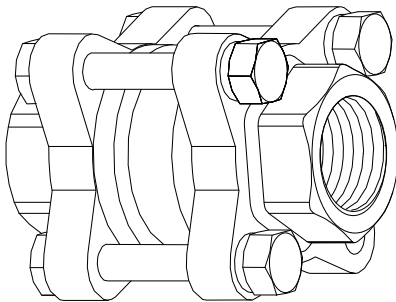
(SWCFV)



SIZE	PRICE
12mm	41.00
18mm	47.00
25mm	56.00
31mm	94.00
38mm	103.00
50mm	122.00

BSP SPRING CHECK VALVE

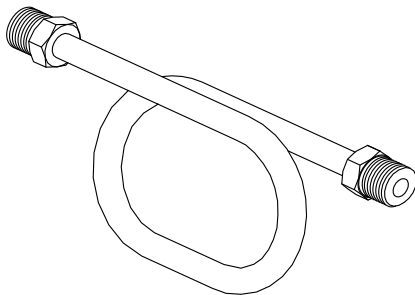
(SPCV)



SIZE	PRICE
12mm	49.00
18mm	56.00
25mm	75.00
31mm	103.00
38mm	131.00
50mm	169.00

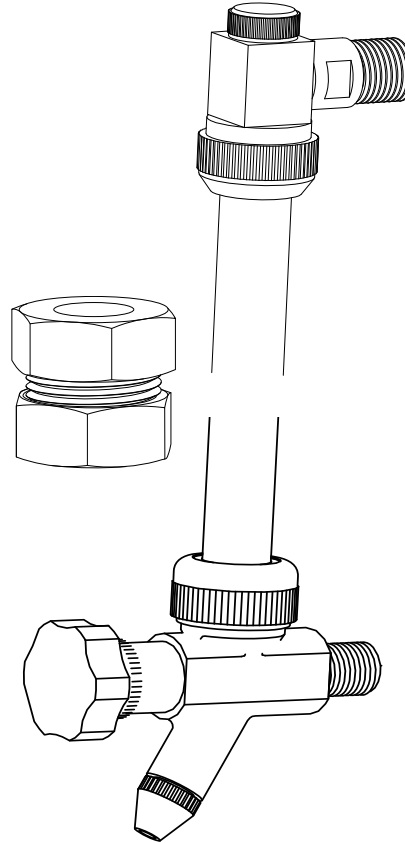
GEORDI BSP M/M PIGTAILS

(BPPT)



SIZE	PRICE
6mm	115.00
9mm	115.00
12mm	115.00

TANK SIGHT GLASS



UPPER LEVEL GAUGE

SIZE	PRICE
12mm	134.00

(SGT)

POLYCARBONATE TUBE TO SUIT

SIZE	PRICE
22x19mm	30.00/met

(SGT1)

TANK SIGHT GLASS JOINER

SIZE	PRICE
22mm	180.00

(SGT2)

SAMPLE LEVEL COCK

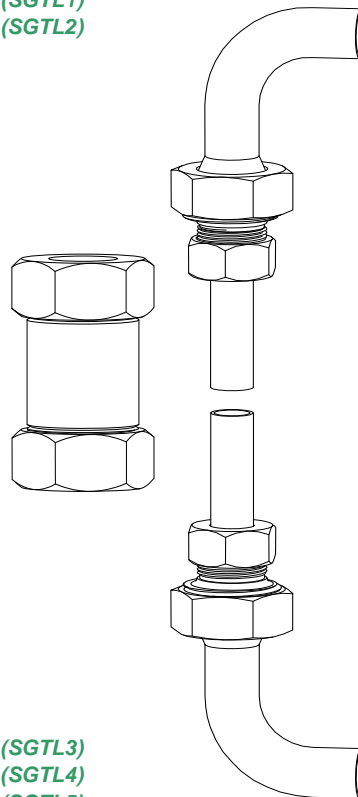
SIZE	PRICE
12mm	185.00

(SG3W)

GEORDI TANK LEVEL SIGHT GLASS

(SGTL1)

(SGTL2)



STANDARD SECTION (under 3 meters) & 90° Bends	PRICE
	415.00

EXTENDED SECTION (over 3 meters) & 90° Bends	PRICE
	625.00

SPARE PARTS

Tank level SG End Connector	175.00
--------------------------------	--------

Tank level SG Joiner	140.00
-------------------------	--------

Polycarbonate Tube (19x16mm)	25.00/Mtr
---------------------------------	-----------

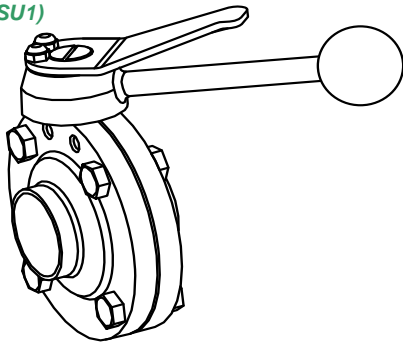
(SGTL3)

(SGTL4)

(SGTL5)

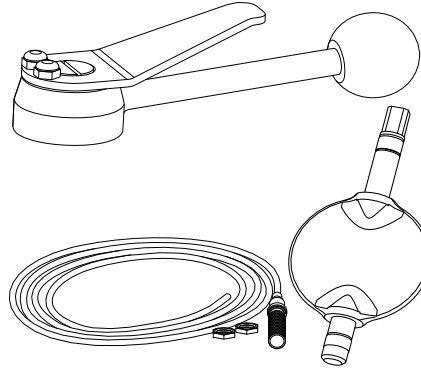
SUDMO B'FLY VALVE P/PLAIN

(SU1)



SIZE	PRICE
25mm	260.00
38mm	290.00
50mm	305.00
63mm	330.00
76mm	485.00
100mm	610.00

SUDMO SPARE PARTS



SIZE	Flaps	Handle
25mm	158.00	70.00
38mm	178.00	70.00
50mm	191.00	70.00
63mm	224.00	70.00
76mm	325.00	70.00
100mm	390.00	70.00

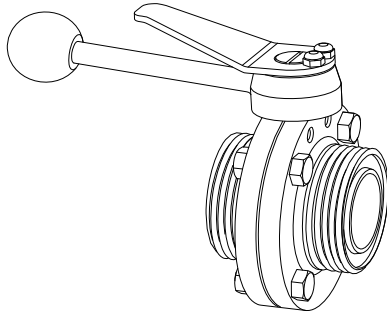
(SU5) (SU6)

1 PROX SWITCH C/W CABLE

175.00
(SU7)

SUDMO B'FLY VALVE M/MALE

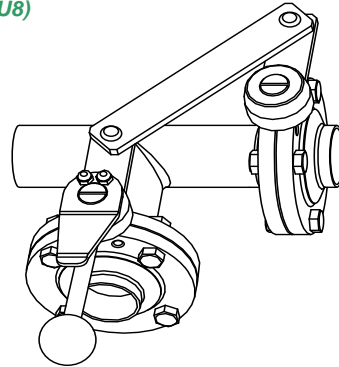
(SU2)



SIZE	PRICE
25mm	334.00
38mm	380.00
50mm	400.00
63mm	449.00
76mm	611.00
100mm	776.00

SUDMO LINKAGE VALVE P/P/P T1

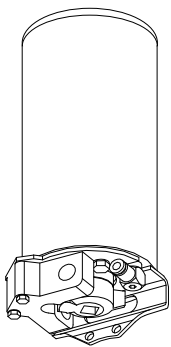
(SU8)



SIZE	PRICE
25mm	1195.00
38mm	1260.00
50mm	1295.00
63mm	1490.00
76mm	1815.00
100mm	2100.00

SUDMO VERTICAL ACTUATOR

(SU3)

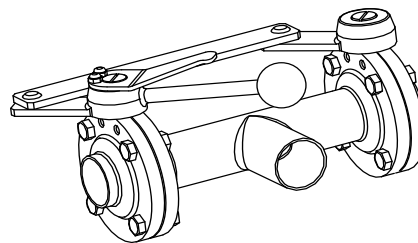


SIZE	PRICE
25mm	600.00
38mm	600.00
50mm	600.00
63mm	600.00
76mm	600.00
100mm	600.00

Air/Spring or Air/Air ACTUATOR

SUDMO LINKAGE VALVE P/P/P T2

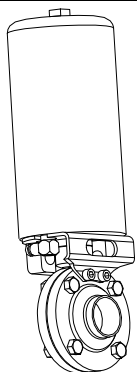
(SU9)



SIZE	PRICE
25mm	1195.00
38mm	1260.00
50mm	1295.00
63mm	1490.00
76mm	1815.00
100mm	2100.00

SUDMO AUTO B'FLY VALVE P/P

(SU4)

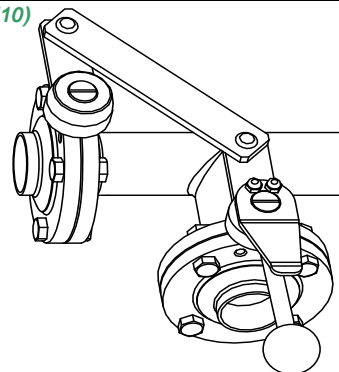


SIZE	PRICE
25mm	815.00
38mm	835.00
50mm	850.00
63mm	870.00
76mm	1025.00
100mm	1155.00

Air/Spring or Air/Air ACTUATOR

SUDMO LINKAGE VALVE P/P/P T3

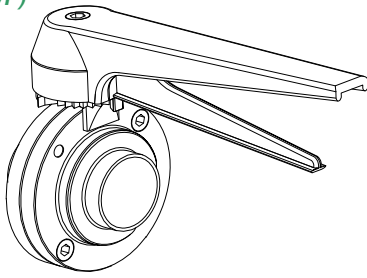
(SU10)



SIZE	PRICE
25mm	1195.00
38mm	1260.00
50mm	1295.00
63mm	1490.00
76mm	1815.00
100mm	2100.00

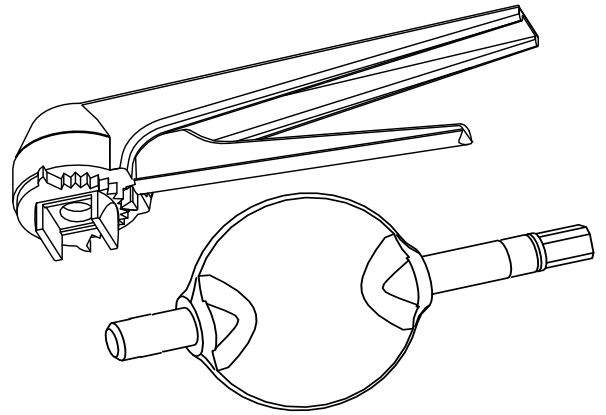
GEORDI B'FLY VALVE P/PLAIN

(GBVP)



SIZE	PRICE
12mm	136.00
18mm	136.00
25mm	136.00
38mm	140.00
50mm	170.00
63mm	190.00
76mm	210.00
100mm	260.00
150mm	900.00
200mm	1200.00

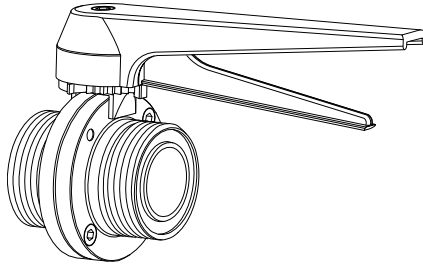
GEORDI B'FLY SPARE PARTS



SIZE	FLAPS	MULTI POS HANDLE
12mm	42.00	35.00
18mm	42.00	35.00
25mm	42.00	35.00
38mm	47.00	35.00
50mm	55.00	35.00
63mm	63.00	35.00
76mm	74.00	35.00
100mm	107.00	35.00
	(GBV1)	(GBV3)

GEORDI B'FLY VALVE C/W BSM MALE ENDS

(GBVM)

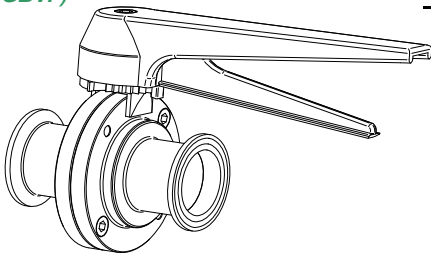


SIZE	PRICE
25mm	200.00
38mm	230.00
50mm	270.00
63mm	325.00
76mm	370.00
100mm	420.00

BSM ENDS

GEORDI B'FLY VALVE C/W FERRULE ENDS

(GBVF)

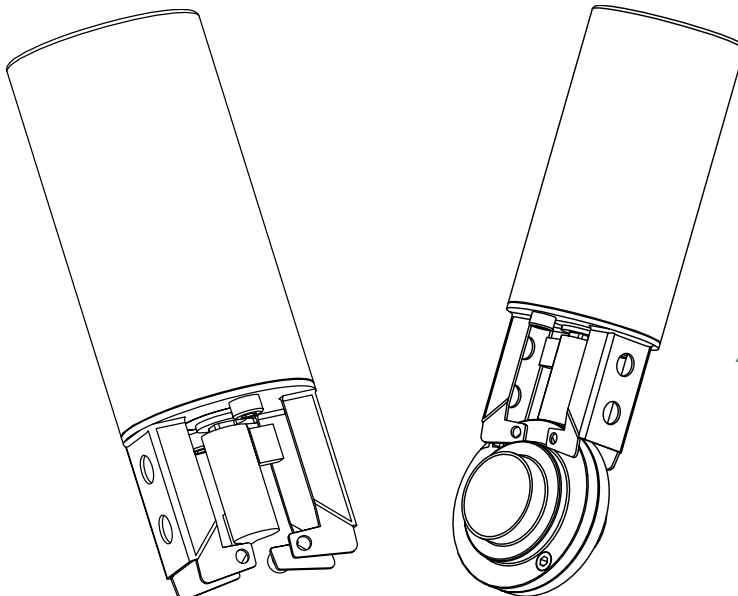


SIZE	PRICE
25mm	227.00
38mm	247.00
50mm	279.00
63mm	328.00
76mm	354.00
100mm	442.00

GEORDI B'FLY VALVE P/P C/W VERTICAL ACTUATOR

(GBVA)

(GBV4)



SIZE	PRICE
25mm	556.00
38mm	560.00
50mm	590.00
63mm	610.00
76mm	630.00
100mm	680.00

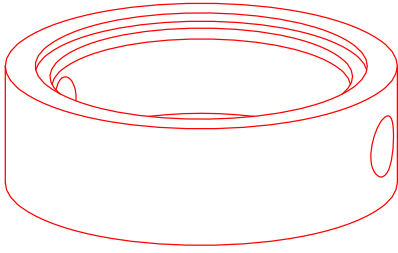
Available in Air-Air or Air-Spring configurations

VERTICAL ACTUATOR ONLY

SIZE	PRICE
25mm	320.00
38mm	320.00
50mm	320.00
63mm	320.00
76mm	320.00
100mm	320.00

SUDMO SILICONE B'FLY SEAL

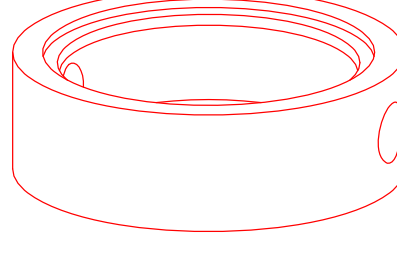
(SU11) (SU12)



SIZE	GEN	NON GEN
25mm	84.00	16.00
38mm	84.00	18.00
50mm	96.00	-
63mm	107.00	-
76mm	140.00	-
100mm	157.00	-

GEORDI SILICONE B'FLY SEAL

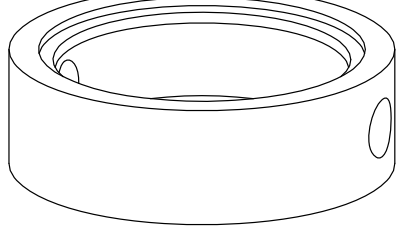
(GBVS)



SIZE	PRICE
12mm	15.00
18mm	15.00
25mm	15.00
38mm	16.50
50mm	18.00
63mm	26.50
76mm	30.00
100mm	50.00
150mm	POA
200mm	POA

SUDMO EPDM B'FLY SEAL

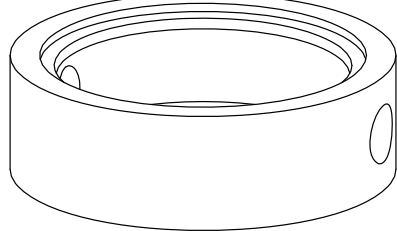
(SU16)



SIZE	PRICE
25mm	84.00
38mm	84.00
50mm	96.00
63mm	107.00
76mm	140.00
100mm	157.00

GEORDI EPDM B'FLY SEAL

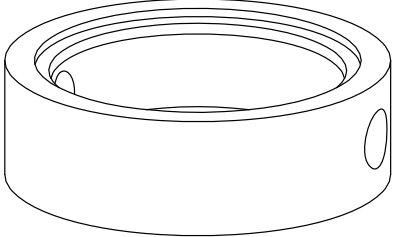
(GBVE)



SIZE	PRICE
12mm	15.00
18mm	15.00
25mm	15.00
38mm	16.50
50mm	18.00
63mm	26.50
76mm	30.00
100mm	50.00
150mm	POA
200mm	POA

SUDMO VITON B'FLY SEAL

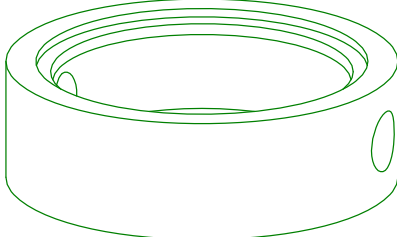
(SU14)



SIZE	PRICE
25mm	237.00
38mm	237.00
50mm	280.00
63mm	325.00
76mm	483.00
100mm	520.00

GEORDI VITON B'FLY SEAL

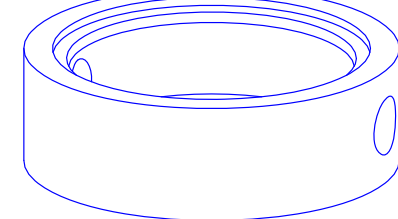
(GBVV)



SIZE	PRICE
12mm	46.00
18mm	46.00
25mm	46.00
38mm	65.00
50mm	69.00
63mm	114.00
76mm	123.00
100mm	190.00
150mm	POA
200mm	POA

SUDMO HYPALON B'FLY SEAL

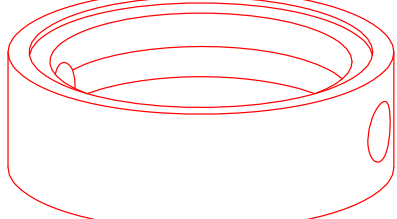
(SU13)



SIZE	PRICE
25mm	84.00
38mm	84.00
50mm	96.00
63mm	107.00
76mm	140.00
100mm	157.00

LK SILICONE B'FLY SEAL

(LKS)



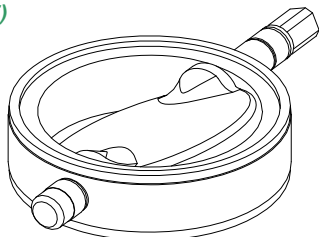
SIZE	PRICE
25mm	22.00
38mm	24.00
50mm	25.00
63mm	30.00

***NON GENUINE**

Genuine available
POA

SUDMO TEFLON B'FLY SEAL

(SU17)

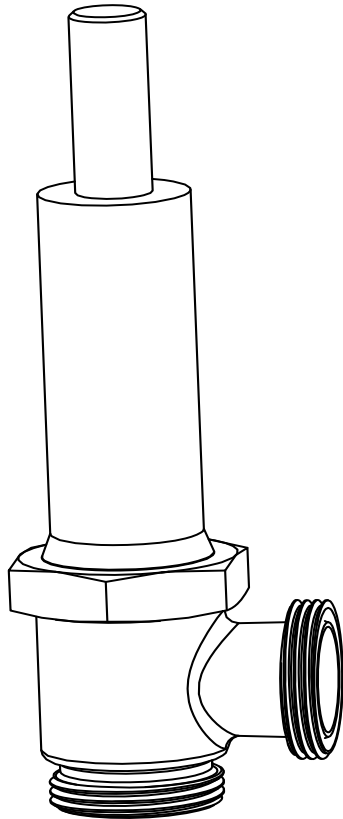


SIZE	PRICE
25mm	POA
38mm	POA
50mm	POA
63mm	POA
76mm	POA
100mm	POA

Complete with Flap

GEORDI PRESSURE RELIEF VALVE

(PRV)



SIZE	RANGE (BAR)	PRICE
25mm	2 - 10	815.00
38mm	2 - 10	860.00
50mm	2 - 10	990.00
63mm	2 - 10	1460.00
76mm	2 - 3.5	1895.00
76mm	3.5 - 7	2150.00
76mm	7 - 10	2400.00
100mm	2 - 3.5	3160.00
100mm	3.5 - 7	3415.00
100mm	7 - 10	3670.00

100mm B/Weld as Std

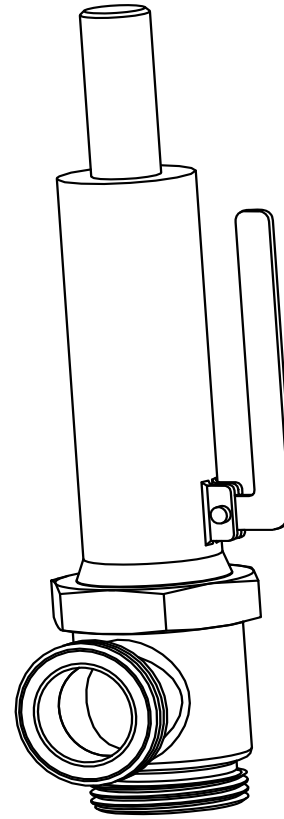
GEORDI PRV SPARE PARTS

SIZE	SEAL *PER*	
	KIT	SPRING
25mm	25.00	110.00
38mm	25.00	110.00
50mm	25.00	110.00
63mm	30.00	110.00
76mm	30.00	240.00
100mm	30.00	240.00

(PRV1) (PRV2)

GEORDI PRV C/W MANUAL OVERRIDE

(PRVM)



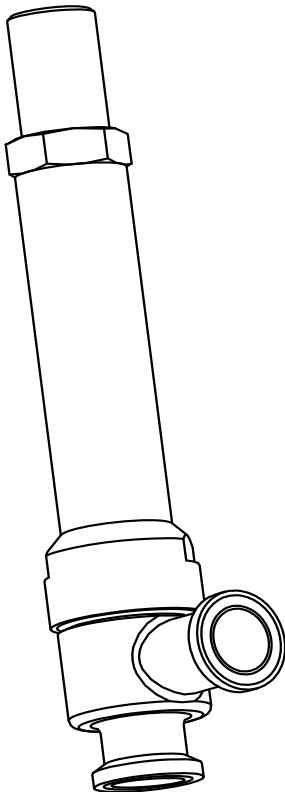
SIZE	RANGE (BAR)	PRICE
25mm	2 - 10	1230.00
38mm	2 - 10	1270.00
50mm	2 - 10	1410.00
63mm	2 - 10	1895.00
76mm	2 - 3.5	2340.00
76mm	3.5 - 7	2595.00
76mm	7 - 10	2845.00
100mm	2 - 3.5	3605.00
100mm	3.5 - 7	3860.00
100mm	7 - 10	4110.00

100mm B/Weld as Std

STANDARD VALVES ARE DESIGNED TO WORK BETWEEN 2-10 BAR (25-150 PSI). ALL OTHER SPRING SETTINGS POA

GEORDI FERRULE PRV

(PRVF)



SIZE	PRICE
12mm	730.00
18mm	730.00

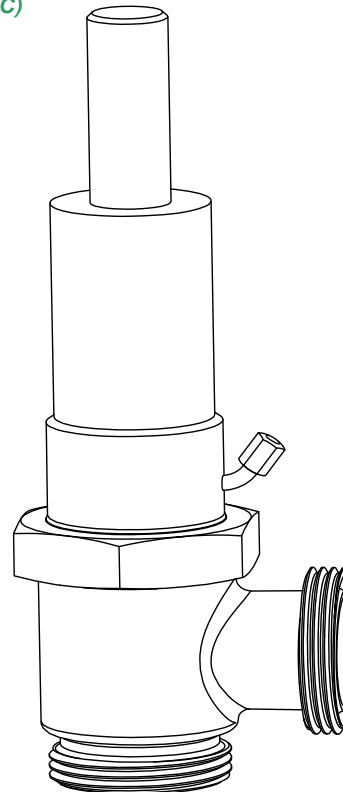
GEORDI PRV SPARE PARTS

SIZE	SEAL *PER*	
	KIT	SPRING
12mm	25.00	110.00
18mm	25.00	110.00

(PRV1) (PRV2)

GEORDI CIP PRV

(PRVC)

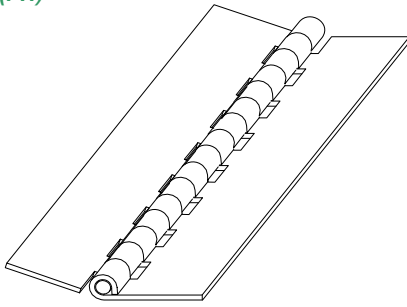


SIZE	RANGE (BAR)	PRICE
25mm	2 - 10	1325.00
38mm	2 - 10	1360.00
50mm	2 - 10	1585.00
63mm	2 - 10	2080.00
76mm	2 - 3.5	2530.00
76mm	3.5 - 7	2785.00
76mm	7 - 10	3035.00
100mm	2 - 3.5	3795.00
100mm	3.5 - 7	4050.00
100mm	7 - 10	4300.00

100mm B/Weld as Std

PIANO HINGE

(PH)

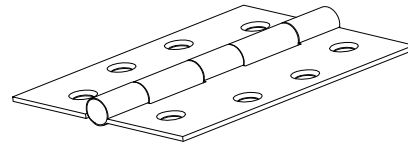


SIZE		PRICE
25mm	(open)	50.00
38mm	(open)	57.00
50mm	(open)	63.00

Available in 1800mm Lengths

BUTT HINGES

(BH)



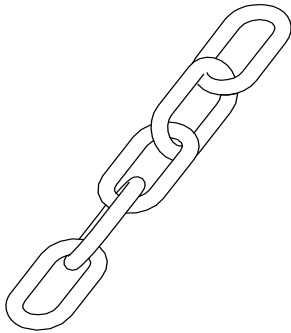
Width/ Length	PRICE
40x50	8.00
70x50	10.00
60x85	11.50
75x100	14.00

HEAVY DUTY

75x100	36.50
100x100	44.50

(BHHD)

STAINLESS STEEL CHAIN

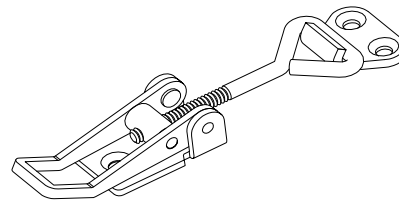


SIZE	Under Packed	
	30M	30M
2mm	10.00	8.00
2.5mm	11.00	9.00
3mm	11.00	9.00
4mm	15.00	13.00
5mm	17.00	14.00
6mm	28.00	24.00
8mm	60.00	52.00

(SSC1) (SSC3)

TOGGLE CLAMPS

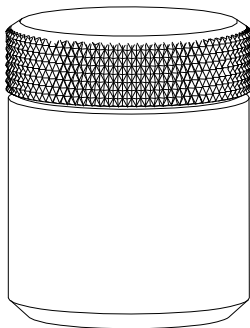
(TC)
(TCHD)



SIZE	PRICE
STANDARD	14.00
H/DUTY	52.00

GEORDI SEPTUM SAMPLING POINT

(SSP)

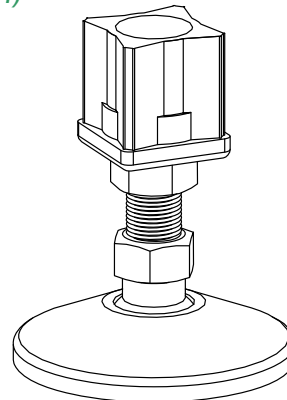


PRICE
125.00

Spare Seal to suit	PRICE
(SSP1)	1.50

ADJUSTABLE FEET

(AF1)



SIZE		PRICE
25mm	(SQR)	6.00
31mm	(SQR)	7.50
38mm		29.00
50mm		32.00

25 & 31mm only available to suit square.

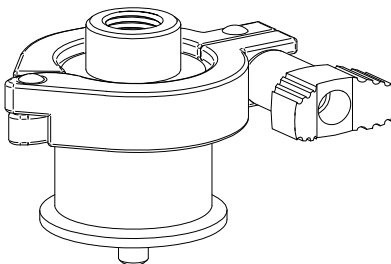
SPARE FEET

38mm	20.00
50mm	20.00

(AF2)

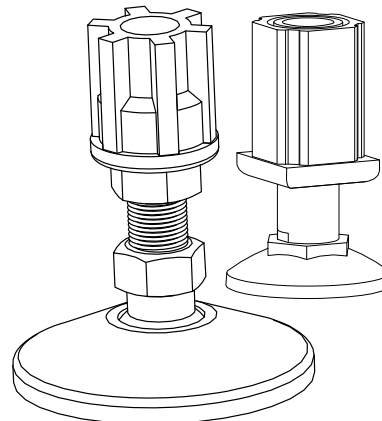
GEORDI AIR BLOW VALVE

(ABV5)



PRICE
520.00

Valve to allow compressed air to be blown into lines. Valve is closed/sealed in the inactive state.



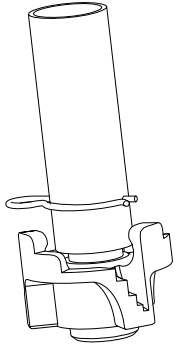
SPARE INSERTS

38mm	9.00
50mm	12.00

(AF3)

ROTATING TANK CLEANER

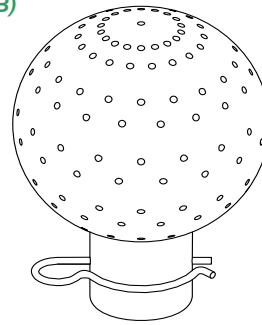
(RTC)



SIZE	PRICE
12mm BSP	815.00
25mm Tube	380.00
38mm Tube	560.00

SPRAY BALL

(SB)

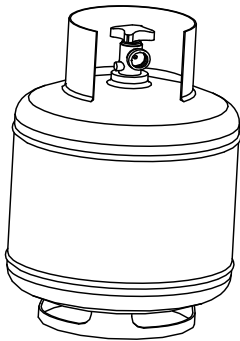


SIZE	BALL	HOLES	PRICE
18mm	38mm	1.6mm	95.00
25mm	63mm	1.6mm	100.00
38mm	63mm	2.5mm	105.00
50mm	90mm	2.5mm	175.00

Spare R Clips (SB1) \$9.00

S/S 316 GAS BOTTLES

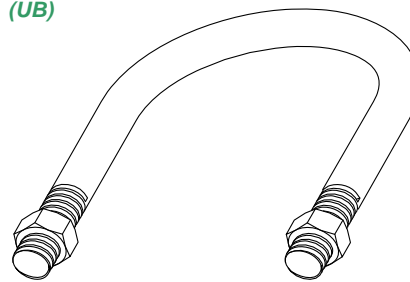
(SSGB)



SIZE	PRICE
1.3Kg	360.00
2.5Kg	405.00
3.4Kg	420.00
4.5Kg	435.00
5.8Kg	450.00
9.0Kg	545.00
10 Kg	560.00

S/S "U" BOLTS

(UB)



SIZE	Suit Tube	Suit Pipe
12mm	-	10.00
18mm	-	10.00
25mm	10.00	10.00
31mm	10.00	11.00
38mm	11.00	11.00
50mm	11.00	11.50
63mm	11.50	12.00
76mm	12.00	17.00
89mm	17.00	-
100mm	21.50	26.50

316 CUT DISCS

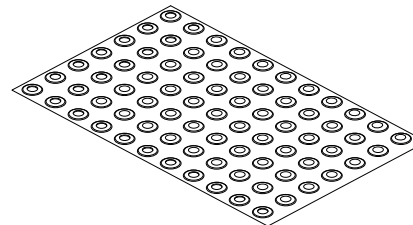


SIZE	6mm 12mm	
	THICK	THICK
100mm	26.00	52.00
114mm	31.00	62.00
125mm	36.00	72.00
140mm	42.00	84.00
150mm	48.00	96.00
175mm	59.00	118.00
200mm	70.00	140.00

(CD6) (CD12)

WALK PLATE

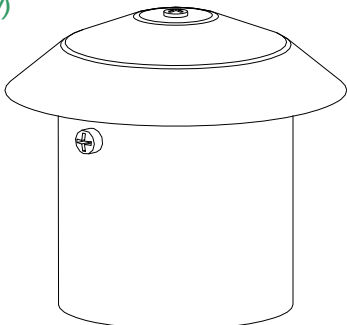
(WP)



SIZE	PRICE
2400x1200	1150.00
2mm 304	

SAFETY VALVE

(SV)

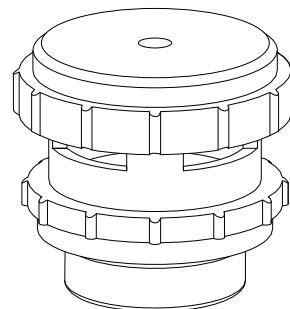


	PRICE
50mm Pipe	145.00
75mm Pipe	230.00

FOR BLOW-OFF AND VACUUM RELIEF

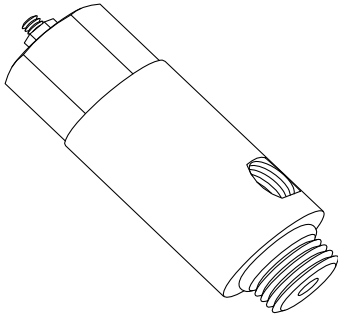
PRESSURE VACUUM VENT

(PVV)



	PRICE
	100.00

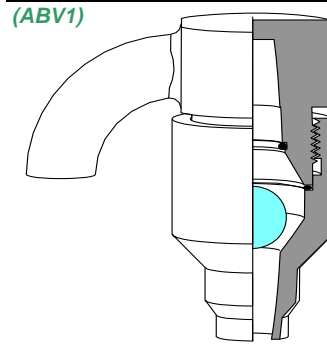
GEORDI BSP WATER JACKET PROTECTION VALVE



SIZE	PRICE
12mm	410.00

(WJPV)

GEORDI AIR BLEED VALVE



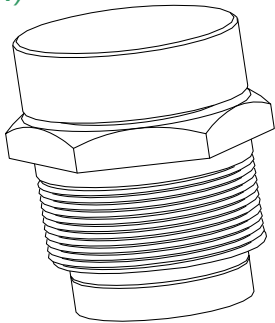
SIZE	PRICE
18mm	460.00

(ABV2)

Spare HDPE BALL
(Floatable)

19mm	20.00
------	-------

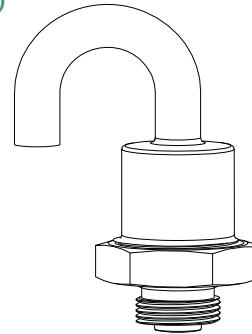
GEORDI BSP VACUUM RELIEF VALVE



SIZE	PRICE
50mm	535.00

(VRV)

GEORDI BSM AIR BLEED VALVE



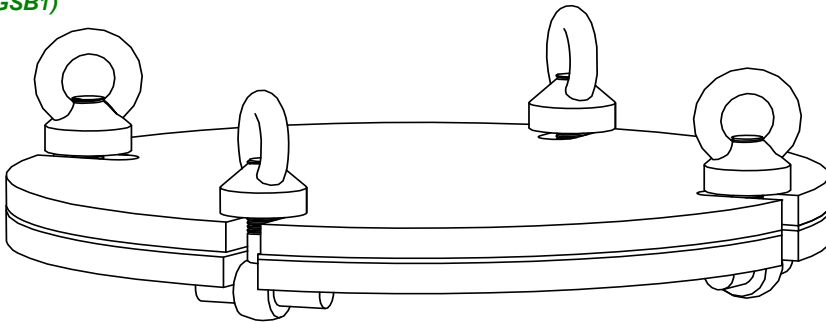
SIZE	PRICE
25mm	510.00

(ABV4)

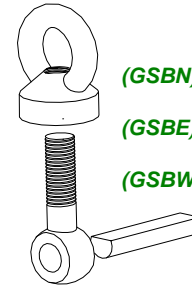
Spare HDPE BALL
(Floatable)

31mm	20.00
------	-------

GEORDI SWING BOLTS



(GSB1)



(GSBN)

(GSBE)

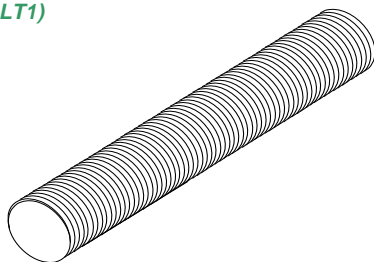
(GSBW)

SIZE(set)	PRICE
12mm	55.00
16mm	65.00

SIZE	PRICE
12mm Nut	18.00
12mm E Bolt	31.00
12mm Wedge	6.00

SIZE	PRICE
16mm Nut	22.00
16mm E Bolt	34.00
16mm Wedge	9.00

METRIC ALLTHREAD 304

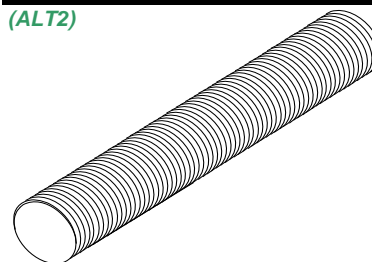


(ALT1)

SIZE	PRICE
5mm	5.50
6mm	6.00
8mm	10.00
10mm	15.00
12mm	19.50
16mm	39.00
20mm	56.00
24mm	95.00

1M LENGTHS

UNC ALLTHREAD 304

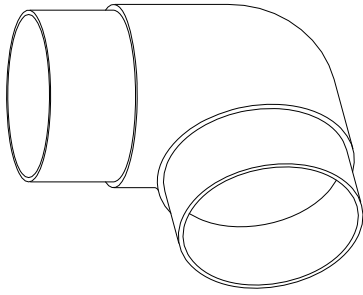


(ALT2)

SIZE	PRICE
6mm (1/4")	4.00
8mm (5/16")	6.50
10mm (3/8")	7.50
12mm (1/2")	17.00
15mm (5/8")	25.00
18mm (3/4")	44.00
22mm (7/8")	68.00
25mm (1")	75.00

900mm LENGTHS

90° FLUSH JOINER

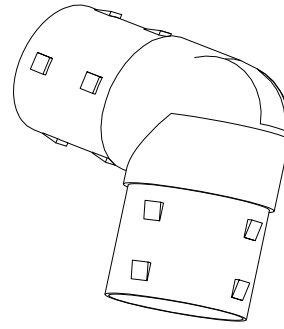


SIZE	PRICE
38mm	33.00
50mm	41.00

(HR1)

ADJUSTABLE FLUSH JOINER

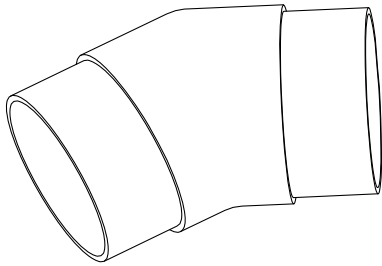
(HR2)



SIZE	PRICE
38mm	83.00
50mm	106.50

135° FLUSH JOINER

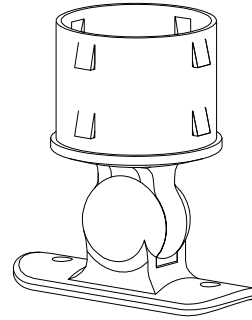
(HR3)



SIZE	PRICE
38mm	33.00
50mm	41.00

ADJUSTABLE RAIL SUPPORT

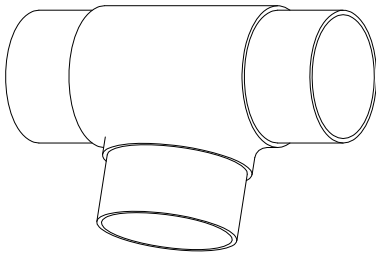
(HR4)



SIZE	PRICE
38mm	36.00
50mm	50.00

To suit round or square posts

FLUSH JOINER TEE

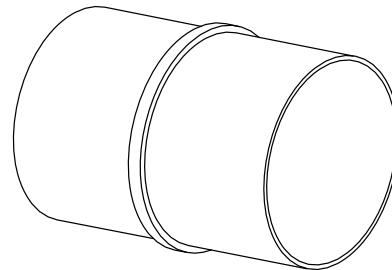


SIZE	PRICE
38mm	36.50
50mm	50.00

(HR5)

INLINE FLUSH JOINER

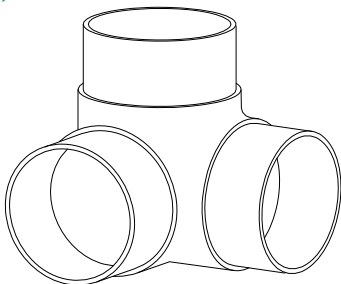
(HR6)



SIZE	PRICE
38mm	14.50
50mm	21.00

FLUSH JOINER 90° TEE

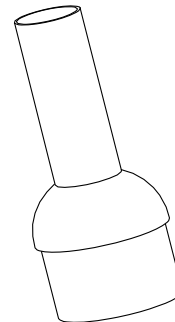
(HR7)



SIZE	PRICE
38mm	37.50
50mm	52.00

POST REDUCER DOME

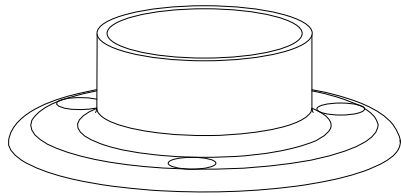
(HR8)



SIZE	PRICE
38mm	28.50
50mm	32.50

ROUND BASE PLATE

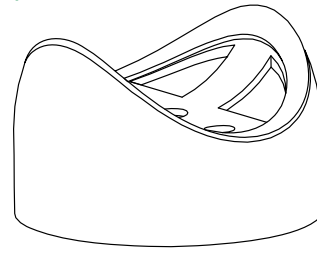
(HR9)



SIZE	PRICE
38mm	28.00
50mm	32.00

PERPENDICULAR JOINER

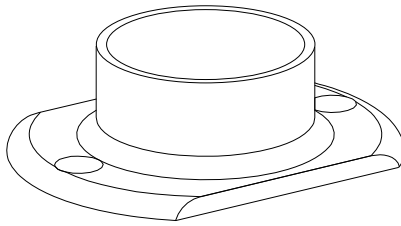
(HR10)



SIZE	PRICE
38mm	10.00
50mm	14.50

OBLONG BASE PLATE

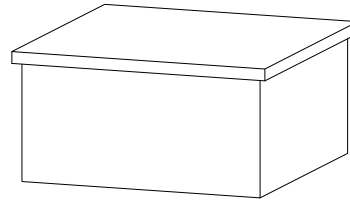
(HR11)



SIZE	PRICE
38mm	25.00
50mm	31.00

SQUARE FLAT CAP

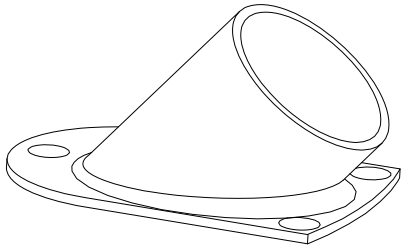
(HR12)



SIZE	PRICE
50mm	19.00

WALL STOP FLANGE

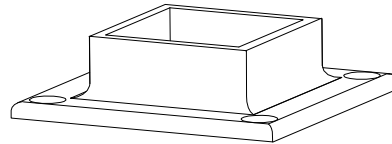
(HR13)



SIZE	PRICE
38mm	33.00
50mm	35.50

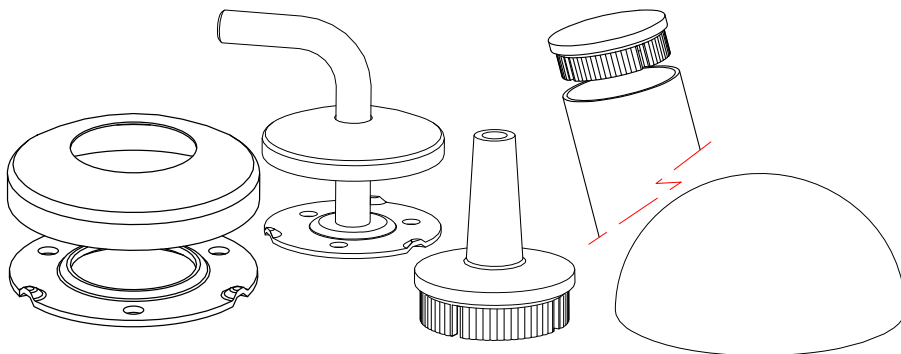
SQUARE BASE PLATE

(HR14)



SIZE	PRICE
50mm	53.00

S/S BALUSTRADE FITTINGS - BASE PLATES, END CAPS

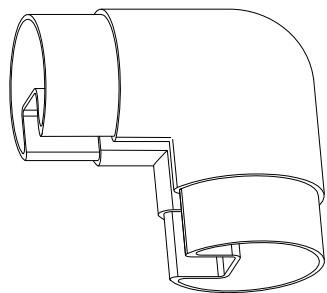


SIZE	B/Plate & Cover	Push in Cap	Wall Brkt	Rail Conv	Dome Cap
12mm	7.00	-	20.00	-	-
19mm	7.00	-	-	-	3.00
25mm	7.00	4.50	-	-	3.50
31mm	8.50	5.00	-	-	4.00
38mm	8.50	6.50	-	8.00	5.50
50mm	13.00	8.50	-	11.50	7.00
63mm	23.50	13.00	-	-	8.00
76mm	28.00	17.00	-	-	10.00
100mm	-	28.00	-	-	17.00
125mm	-	-	-	-	26.00
150mm	-	-	-	-	33.00

HRBPC HRPIC HRWB HRRC HRDC

90° SINGLE SLOT ELBOW

(HR15)

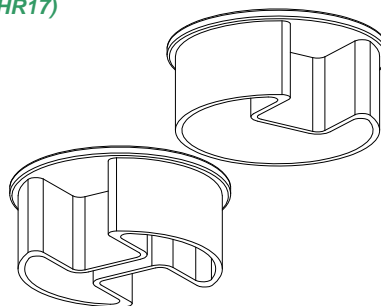


SIZE	PRICE
50mm	51.50

SLOTTED PUSH IN CAP

(HR16)

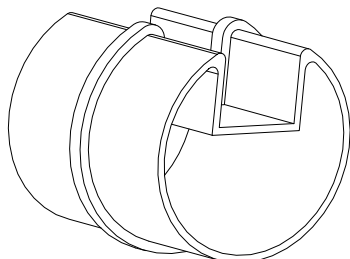
(HR17)



SIZE	PRICE
50mm (Sng Slot)	20.00
50mm (Dbl Slot)	21.00

SINGLE SLOT STRAIGHT JOINER

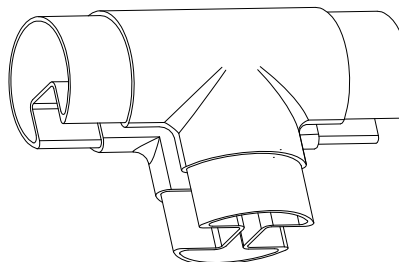
(HR18)



SIZE	PRICE
50mm	25.00

DOUBLE SLOT TEE

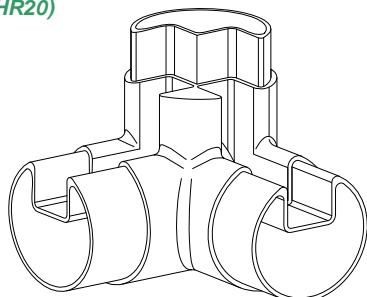
(HR19)



SIZE	PRICE
50mm	73.00

SINGLE SLOT 90° TEE

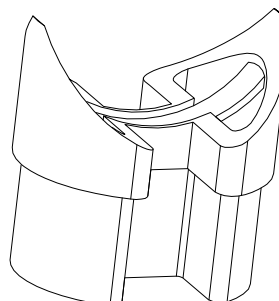
(HR20)



SIZE	PRICE
50mm	77.00

DOUBLE SLOT PERP JOINER

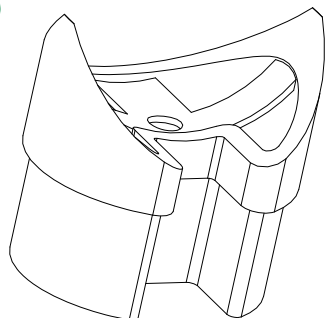
(HR21)



SIZE	PRICE
50mm	POA

SINGLE SLOT PERP JOINER

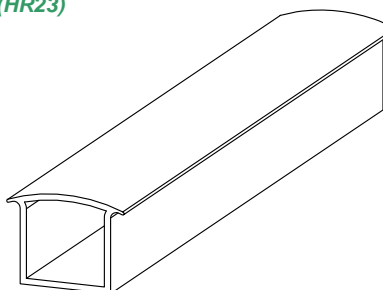
(HR22)



SIZE	PRICE
50mm	POA

SLOTTED TUBE BLANKING STRIP

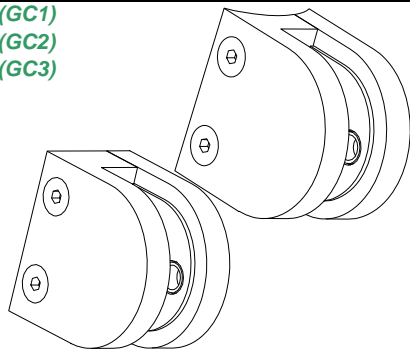
(HR23)



Per Meter	PRICE
	59.50

GLASS CLAMPS

(GC1)
(GC2)
(GC3)

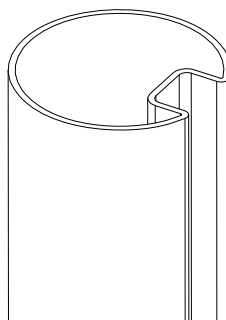


SIZE	PRICE
SMALL - 6 & 8mm Glass	27.00
MEDIUM - 6, 8 & 10mm Glass	28.50
LARGE - 8, 10 & 12mm Glass	37.00

To suit round or square posts

SINGLE SLOT TUBE

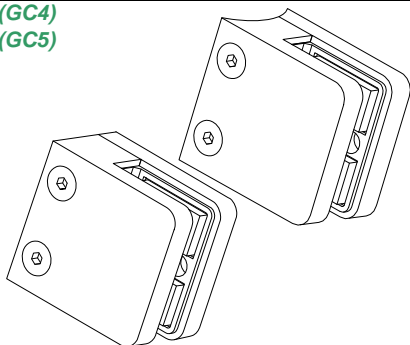
SIZE	PRICE
50mm	



#16 316
600 GRIT POLISH

GLASS CLAMPS (SQUARE)

(GC4)
(GC5)

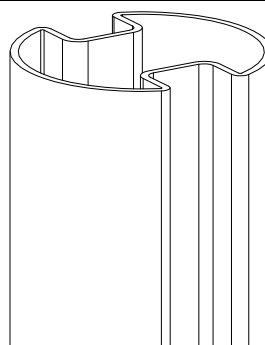


SIZE	PRICE
SMALL - 6 & 8mm Glass	32.00
LARGE - 8, 10 & 12mm Glass	34.50

To suit round or square posts

DOUBLE 180° SLOT TUBE

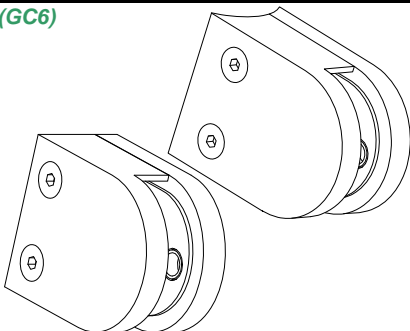
SIZE	PRICE
50mm	



#16 316
600 GRIT POLISH

GLASS CLAMPS LEFT/RIGHT SUPPORT

(GC6)

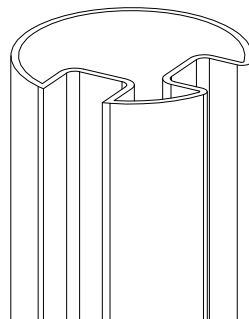


SIZE	PRICE
MEDIUM - 6, 8 & 10mm Glass	33.00

To suit round or square posts

DOUBLE 90° SLOT TUBE

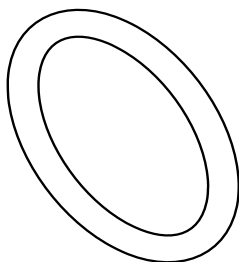
SIZE	PRICE
50mm	



#16 316
600 GRIT POLISH

ROUND RING WELDED

(HRRR)



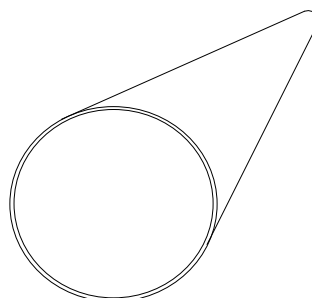
SIZE	PRICE
25x4mm	1.20
35x5mm	1.40
40x6mm	1.80
50x8mm	3.60
75x10mm	7.15

Inside Diam x Thickness

304

HANDRAIL TUBE

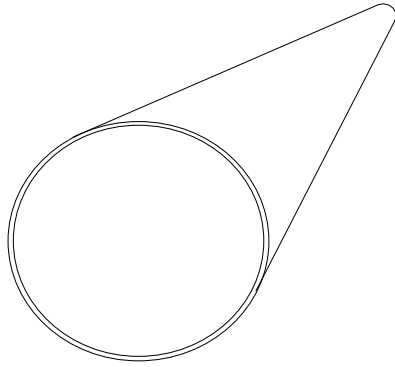
SIZE	PRICE
50mm	



AVAILABLE IN

#10 & #16 Wall
316 & 304 Grade
320 Grit Finish
600 Grit Finish

S/S 316 TUBE POLISHED OD

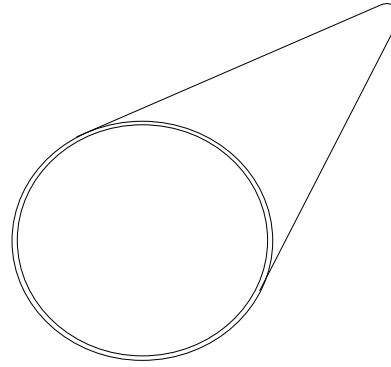


6m Lengths

SIZE	GAUGE
1/8"	#22
3/16"	#20
1/4"	#20
5/16"	#18
3/8"	#18
1/2"	#16
5/8"	#16
3/4"	#16
7/8"	#16
1"	#16
1 1/4"	#16
1 1/2"	#16
1 3/4"	#16
2"	#16
2 1/2"	#16
3"	#16
3 1/2"	#16
4"	#16
*5"	#16
*6"	#16
*6"	#14
*8"	#14
*10"	#14
*12"	#14

*UNPOLISHED

S/S 304 TUBE POLISHED OD

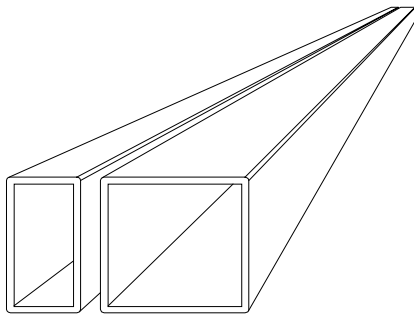


6m Lengths

SIZE	GAUGE
1/2"	#18
1/2"	#16
3/4"	#16
1"	#16
1 1/2"	#16
2"	#16
2 1/2"	#16
3"	#16
4"	#16
*6"	#16

*UNPOLISHED

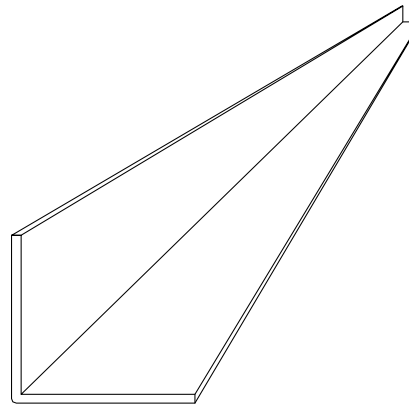
S/S SQUARE & RECTANGLE TUBE 304



6m Lengths

SIZE	GAUGE
12x12x1.2mm	#18
18x18x1.2mm	#18
25x25x1.2mm	#18
25x25x1.6mm	#16
25x25x3.0mm	#10
31x31x1.6mm	#16
38x38x1.6mm	#16
38x38x3.0mm	#10
50x50x1.6mm	#16
50x50x3.0mm	#10
76x76x3.0mm	#10
100x100x3mm	#10
50x25x1.6mm	#16
50x25x3mm	#10
100x50x2.0mm	#14

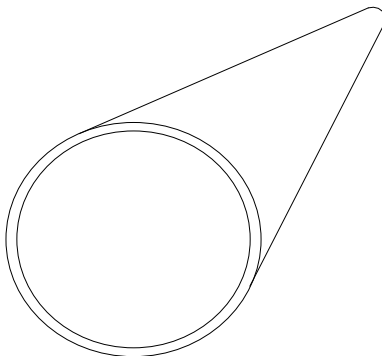
S/S ANGLE 304



6m Lengths

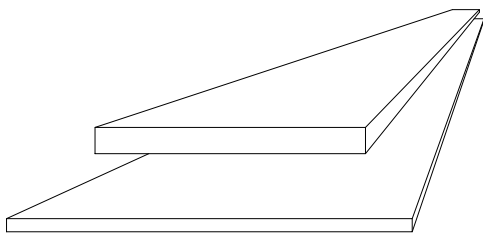
SIZE	PRICE
20x20x3	8.50
25x25x3	11.00
25x25x5	17.00
25x25x6	22.00
30x30x3	13.50
30x30x6	27.00
40x40x3	17.50
40x40x5	28.50
40x40x6	35.00
50x50x3	23.00
50x50x5	36.00
50x50x6	46.00
63x63x6	57.00
75x75x6	66.50
75x75x10	106.50
100x100x6	95.00
100x100x10	154.00

STAINLESS STEEL PIPE



SIZE	304	316	304	316
	SCH 10	SCH 10	SCH 40	SCH 40
1/4"				
3/8"				
1/2"				
3/4"				
1"				
1 1/4"				
1 1/2"				
2"				
2 1/2"				
3"				
4"				

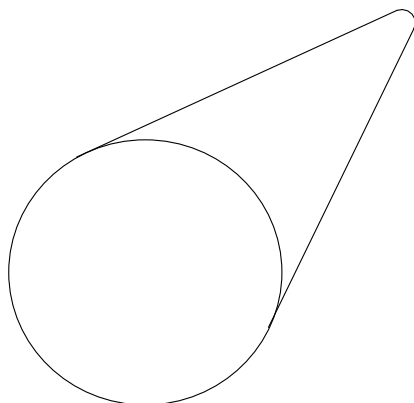
S/S FLAT BAR 304 FLAT



SIZE	PRICE	SIZE	PRICE
12x3mm	3.00	50x10mm	39.00
20x3mm	5.00	65x3mm	15.00
20x6mm	10.00	65x6mm	30.00
25x3mm	6.00	65x10mm	53.00
25x5mm	10.00	76x3mm	17.50
25x6mm	12.00	76x6mm	35.00
25x10mm	20.00	76x10mm	58.50
30x3mm	7.50	100x3mm	24.00
30x6mm	15.00	100x6mm	48.00
30x10mm	24.50	100x10mm	78.00
40x3mm	9.50	150x3mm	35.00
40x5mm	15.50	150x6mm	70.00
40x6mm	19.00	150x10mm	117.00
40x10mm	31.00		
50x3mm	12.00		
50x5mm	19.50		
50x6mm	24.00		

[4 Met Lengths - Prices per met Nett](#)

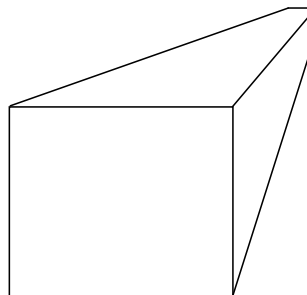
S/S ROUND BAR 316



SIZE	PRICE
1/8"	1.00
3/16"	2.00
1/4"	4.00
5/16"	6.00
3/8"	8.50
1/2"	15.00
5/8"	23.50
3/4"	33.50
7/8"	45.50
1"	60.00
1 1/8"	75.00
1 1/4"	93.00
1 1/2"	134.00
1 3/4"	183.00
2"	238.00
2 1/4"	302.00
2 1/2"	372.00
2 3/4"	450.00
3"	536.00
3 1/4"	630.00
3 1/2"	730.00
3 3/4"	838.00
4"	954.00
4 1/2"	1207.00
5"	1490.00
5 1/2"	1803.00
6"	2146.00

[4 Met Lengths - Prices per met Nett](#)

S/S SQUARE BAR 316



SIZE	PRICE
6mm	5.50
8mm	8.50
10mm	13.00
12mm	20.50
16mm	33.50
20mm	52.00
25mm	84.00
32mm	133.50
40mm	208.50
50mm	326.00

[4 Met Lengths - Prices per met Nett](#)

WELDING & POLISHING

SIZE	STD WELD	FERRULE WELD
	& POLISH	& POLISH
12mm	37.00	49.00
18mm	37.00	49.00
25mm	37.00	49.00
31mm	42.00	56.00
38mm	42.00	56.00
50mm	42.00	56.00
63mm	50.00	66.00
76mm	50.00	66.00
100mm	64.00	85.00
125mm	130.00	173.00
150mm	130.00	173.00
200mm	180.00	239.00

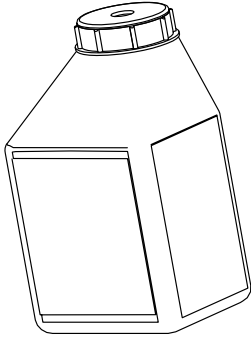
(WP1)

(WP2)

Standard Weld & Polish: *inside weld removed & outside buff polish*
Ferrule Weld & Polish: *inside weld removed & outside higher polish*

PICKLING PASTE

(PP)



SIZE	PRICE
2.5Kg	86.00

FOOD GRADE LUBRICANT

(LUB1)



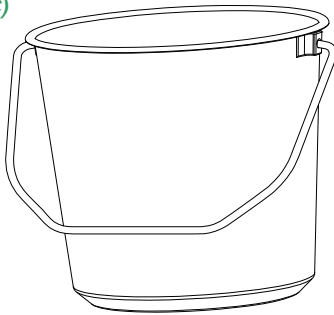
SIZE	PRICE
113g	13.00

**Sanitary
Non Toxic
Odorless
Tasteless**

Meets USDA 1998 H-1 Guidelines

S/S BUCKETS

(BUC)



SIZE	Price
Small	58.00
Medium	67.00

Material: 304

SILICONE LUBRICANT

(LUB2)



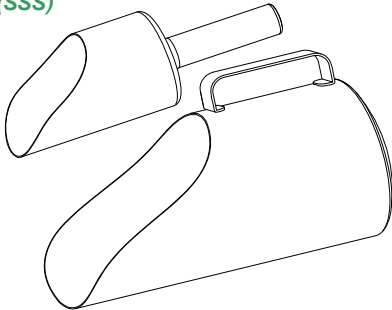
SIZE	PRICE
113g	28.00

**Sanitary
Non Toxic
Odorless
Tasteless**

Suitable for EPDM GASKETS

S/S SCOOPS

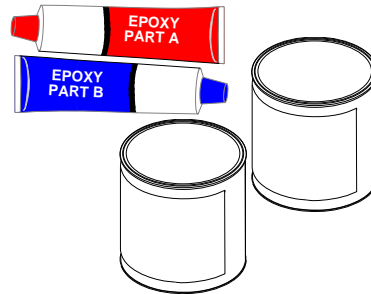
(SSS)



Volume	Price
1L	310.00
2L	340.00
3L	350.00

2 PART EPOXY GLUE SETS

(EPG30)
(EPG300)

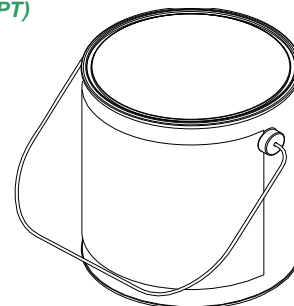


SIZE	PRICE
30g	12.00
300g	120.00

For fixing Push In fittings

STAINLESS STEEL PAINT

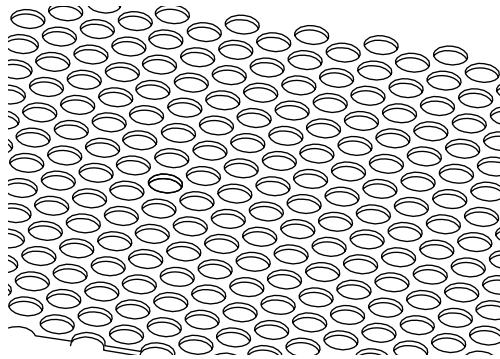
(SSPT)



SIZE	Price
2Kg pack	780.00

Grade: 316L

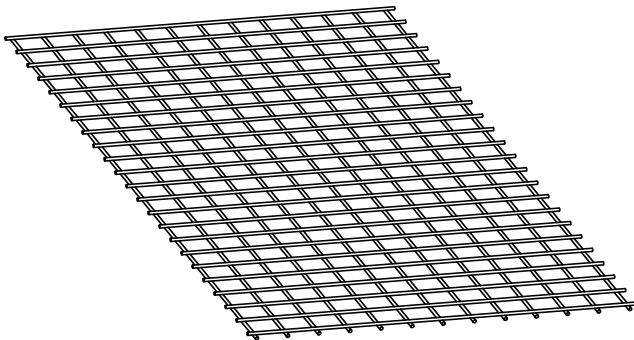
S/S PERFORATED SHEETS (304)



SIZE	OA	Sheet Dims	Price
0.5mm	23%	2000x1000x0.4	POA
0.8mm	25%	2000x1000x0.5	POA
1mm	23%	2000x1000x1.0	POA
1.6mm	36%	2440x1220x0.7	POA
2mm	30%	2000x1000x1.0	POA
3mm(316)	50%	2000x1000x1.0	POA
4mm	40%	2000x1000x1.0	POA
5mm	45%	2000x1000x1.0	POA
6mm	45%	2000x1000x1.0	POA
8mm	47%	2000x1000x1.0	POA
10mm	53%	2000x1000x1.0	POA
12mm	45%	2000x1000x1.5	POA
15mm	46%	2000x1000x1.5	POA

S/S WELDED WIRE SHEETS (304)

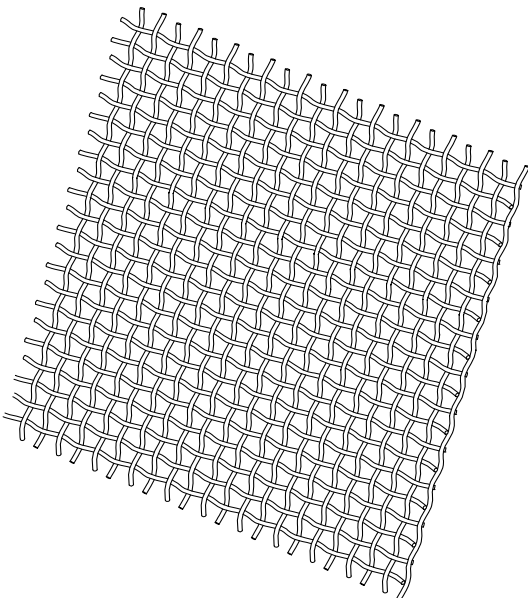
WLD25
WLD50



SIZE	APT	Sheet Dims	Price
25x25x3	21.85	2400x1200mm	POA
50x50x3	47	2500x1200mm	POA

Nett Prices

S/S WOVEN WIRE MESH (316)



SIZE (Mesh)	GAUGE	APT (Mircon)	GRADE	WIDTH (mm)	PRICE/Mtr
30 Mesh	32	570	304	1240	POA
40 Mesh	34	415	316	1240	POA
50 Mesh	36	310	316	1240	POA
60 Mesh	37	260	316	1240	POA
70 Mesh	38	210	316	1240	POA
80 Mesh	39	190	316	1240	POA
100 Mesh	42	150	316	1240	POA
150 Mesh	45	100	316	1240	POA
200 Mesh	47	80	316	1240	POA
250 Mesh	48	63	316	1550	POA
300 Mesh	48	53	316	1240	POA
400 Mesh	49	34	316	1240	POA
500 Mesh	50	25	316	1240	POA